



US0D1065354S

(12) **United States Design Patent** (10) **Patent No.:** **US D1,065,354 S**  
**Murphy** (45) **Date of Patent:** **\*\* Mar. 4, 2025**

(54) **SENSORIAL ACTIVITY TOY**

FOREIGN PATENT DOCUMENTS

(71) Applicant: **Pushpeel LLC**, Albany, NY (US)  
(72) Inventor: **Sayer Murphy**, East Aurora, NY (US)  
(73) Assignee: **PUSHPEEL LLC**, Albany, NY (US)

CN 202427148 U 9/2012  
EP 0247097 A1 12/1987  
(Continued)

(\*\*) Term: **15 Years**

OTHER PUBLICATIONS

(21) Appl. No.: **29/962,629**

(22) Filed: **Sep. 12, 2024**

“Sensory Activity Board Duble Sided Silicone Fidget Toy” available Jul. 4, 2024, [online], [site visited Dec. 9, 2024].Retrieved from Internet, URL:https://www.amazon.ca/Sensory-Activity-Board-Silicone-Portable/dp/B0D8SGQ5DK/ref=sr\_1\_9?crd=28CNIH2S3UP6G&dib=eyJ2ljoMSJ9.t5y7X3yZuyNSAAilaXtEWQ7s9FV9c9eWMWdV (Year: 2024).\*

(Continued)

**Related U.S. Application Data**

(63) Continuation of application No. 18/604,442, filed on Mar. 13, 2024.

*Primary Examiner* — Michelle E. Wilson  
*Assistant Examiner* — Rochel L Rimelspach-Zare

(51) **LOC (15) Cl.** ..... **21-01**  
(52) **U.S. Cl.**

USPC ..... **D21/484**; D21/468  
CPC ..... **H02M 3/07** (2013.01); **G09G 3/20** (2013.01); **G09G 2330/021** (2013.01); **G09G 2330/028** (2013.01)

(74) *Attorney, Agent, or Firm* — Simpson & Simpson, PLLC

(58) **Field of Classification Search**

USPC ..... D21/334, 340, 349, 365, 367, 398, 404, D21/468, 471, 474, 475, 479, 484, 489, D21/490, 491, 500, 658  
CPC ..... A63H 33/26; A63H 33/046; A63H 33/08; A63H 33/00

(57) **CLAIM**

The ornamental design for a sensorial activity toy as shown and described.

See application file for complete search history.

**DESCRIPTION**

(56) **References Cited**

**U.S. PATENT DOCUMENTS**

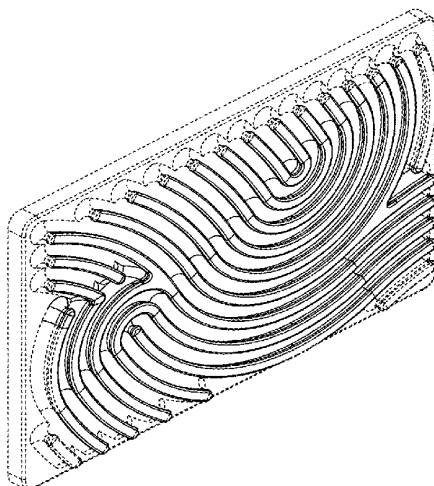
656,039 A \* 8/1900 Nolan ..... A63F 7/044 D21/340  
2,011,266 A \* 8/1935 Boynton ..... A63F 7/041 273/153 R  
D171,246 S \* 1/1954 Carlson ..... D10/46.1  
3,792,866 A 2/1974 Dreyer et al.  
D264,098 S \* 4/1982 Mayuzumi ..... D21/340  
D265,103 S 6/1982 Kröll

FIG. 1 is a top-left perspective view of the sensorial activity toy of the present invention;  
FIG. 2 is a bottom-right perspective view of the invention shown in FIG. 1;  
FIG. 3 is a front elevation view of the invention shown in FIG. 1; and,  
FIG. 4 is a rear elevation view of the invention shown in FIG. 1.

The drawings illustrate a sensorial activity toy having a plurality of protrusions extending from a board portion, which protrusions form channels there between. Contour lines are included in the various views of FIGS. 1 through 4 to depict surface curvature, flatness and other shapes. Portions illustrated in broken-lines form no part of the claimed design.

(Continued)

**1 Claim, 2 Drawing Sheets**



(56)

References Cited

U.S. PATENT DOCUMENTS

4,526,372	A	7/1985	Kikis	
5,174,757	A	12/1992	Jones	
5,314,192	A	5/1994	Broudy et al.	
9,067,129	B2	6/2015	Encina Cusi	
D944,329	S *	2/2022	Deng	D21/468
D969,226	S *	11/2022	Peng	D21/468
D1,046,993	S *	10/2024	Huang	D21/468
2008/0224399	A1	9/2008	Schambelan	
2018/0154246	A1	6/2018	Moon	
2018/0333653	A1 *	11/2018	Sakai	A63H 33/06
2021/0178114	A1 *	6/2021	Brumlik	A44C 11/00
2023/0182001	A1 *	6/2023	Everett	A63H 33/00 273/153 R
2023/0248286	A1 *	8/2023	Brumlik	A61B 5/164 600/557

FOREIGN PATENT DOCUMENTS

GB	2163357	A	2/1986
GB	6373128	*	6/2024
KR	20170008108	A	1/2017
KR	102230675	B1	3/2021

OTHER PUBLICATIONS

“Sensory Activity Board with 11 pcs Colored Strings” available Aug. 2, 2024, [online], [site visited Dec. 9, 2024]. Retrieved from Internet, URL: [https://www.amazon.ca/Sensory-Activity-Colored-Strings-Silicone/dp/B0DBZB2XWW/ref=sr\\_1\\_20?crd=28CNIH2S3UP6G&dib=eyJ2IjoMSJ9.t5y7X3yZuyNSAAilaXtEWQ7s9FV9c9eWMWdVI0](https://www.amazon.ca/Sensory-Activity-Colored-Strings-Silicone/dp/B0DBZB2XWW/ref=sr_1_20?crd=28CNIH2S3UP6G&dib=eyJ2IjoMSJ9.t5y7X3yZuyNSAAilaXtEWQ7s9FV9c9eWMWdVI0) (Year: 2024).\*

“Fidget Sensory Toys Pack for Kids” available Jun. 25, 2024, [online], [site visited Dec. 9, 2024]. Retrieved from Internet, URL: [https://www.amazon.ca/Fidget-Sensory-Toys-Pack-Kids/dp/B0D813P3ZB/ref=sr\\_1\\_41?crd=28CNIH2S3UP6G&dib=eyJ2IjoMSJ9.t5y7X3yZuyNSAAilaXtEWQ7s9FV9c9eWMWdVI0J3mB-kMvADX9QQ5EdahxA29P3aDI](https://www.amazon.ca/Fidget-Sensory-Toys-Pack-Kids/dp/B0D813P3ZB/ref=sr_1_41?crd=28CNIH2S3UP6G&dib=eyJ2IjoMSJ9.t5y7X3yZuyNSAAilaXtEWQ7s9FV9c9eWMWdVI0J3mB-kMvADX9QQ5EdahxA29P3aDI) (Year: 2024).\*

“Wzenclave Sensory Activity Board, Silicone” available Aug. 20, 2024, [online], [site visited Dec. 9, 2024]. Retrieved from Internet, URL: [https://www.amazon.ca/Wzenclave-Activity-Silicone-Montessori-Templates/dp/B0DDPD1GY9/ref=sr\\_1\\_135?crd=28CNIH2S3UP6G&dib=eyJ2IjoMSJ9.bEGebM63Ng4bH1Us9aL6qR6qK8rYKJFp05OeH](https://www.amazon.ca/Wzenclave-Activity-Silicone-Montessori-Templates/dp/B0DDPD1GY9/ref=sr_1_135?crd=28CNIH2S3UP6G&dib=eyJ2IjoMSJ9.bEGebM63Ng4bH1Us9aL6qR6qK8rYKJFp05OeH) (Year: 2024).\* U.S. Pat. No. 616,765, Issued Dec. 27, 1898, Brann, Oscar B., Kind Code: A; Entire document.

\* cited by examiner

FIG. 1

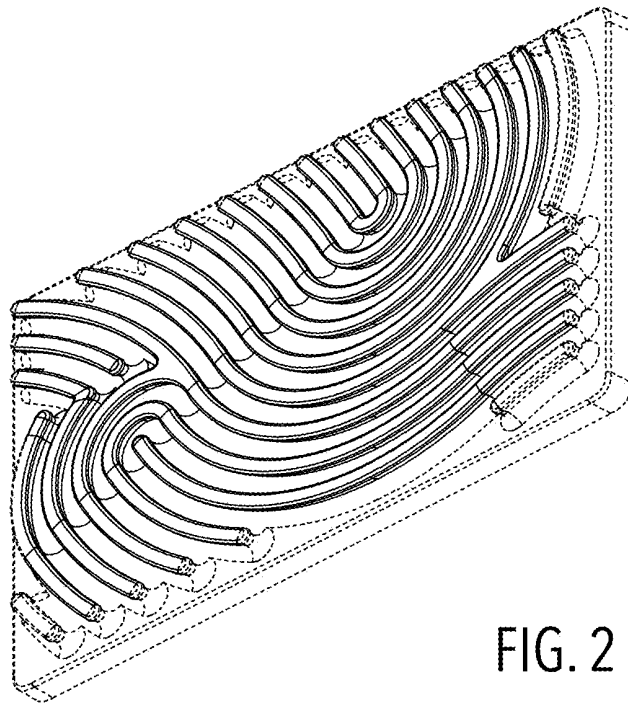
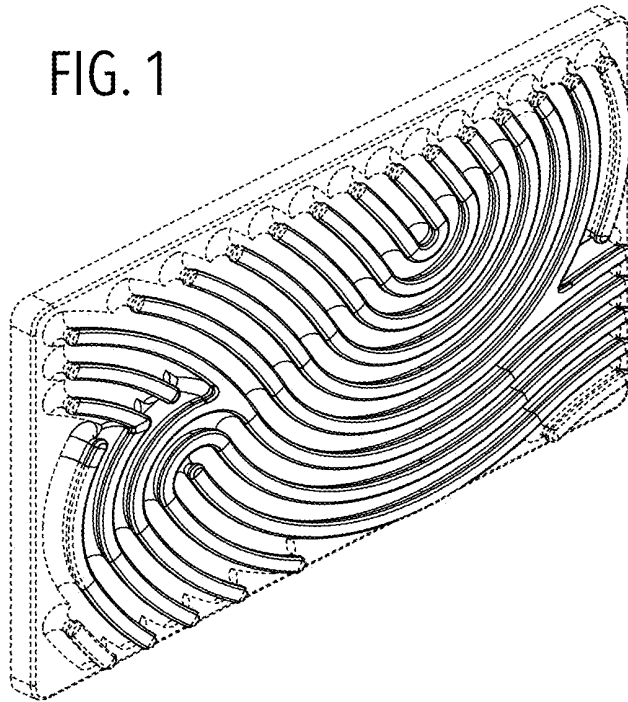


FIG. 2

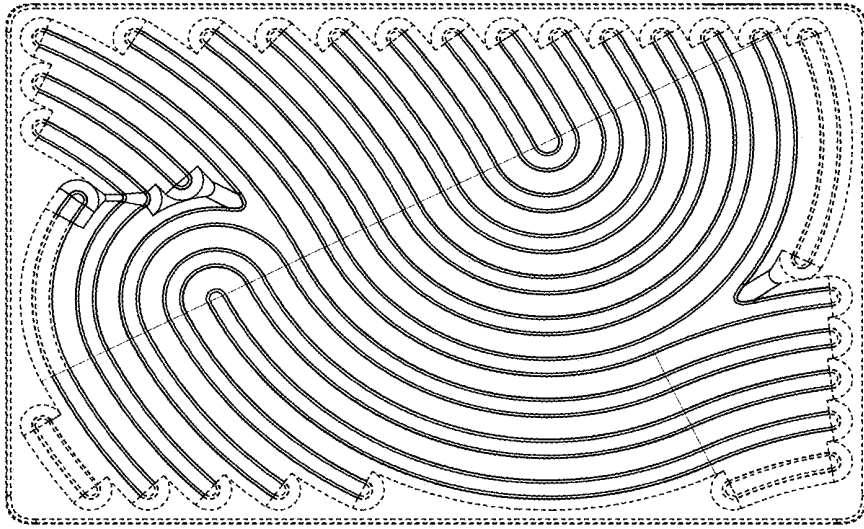


FIG. 3

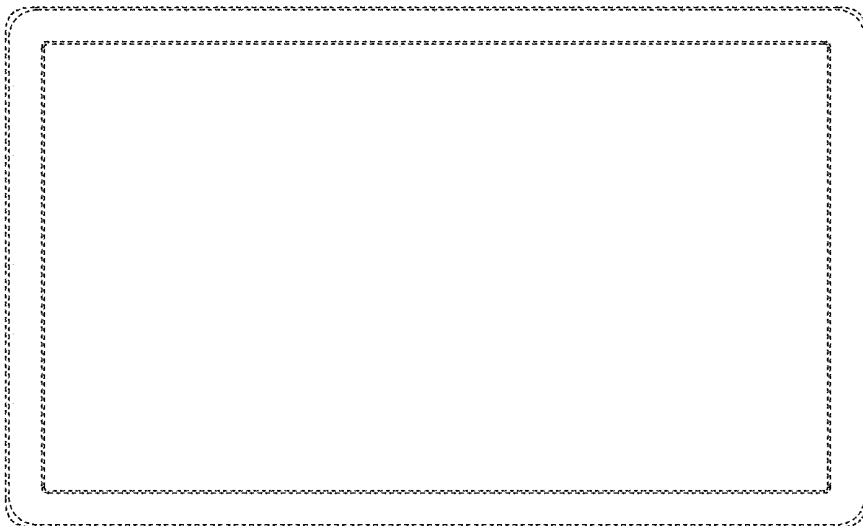


FIG. 4