



US0D1049920S

(12) **United States Design Patent** (10) **Patent No.:** **US D1,049,920 S**
Stevens (45) **Date of Patent:** **** Nov. 5, 2024**

(54) **PLANTER**

(71) Applicant: **Umbra LLC**, Buffalo, NY (US)

(72) Inventor: **Erica Stevens**, Toronto (CA)

(73) Assignee: **Umbra LLC**, Buffalo, NY (US)

(**) Term: **15 Years**

(21) Appl. No.: **29/870,734**

(22) Filed: **Feb. 3, 2023**

(51) **LOC (14) Cl.** **11-02**

(52) **U.S. Cl.**

USPC **D11/155**

(58) **Field of Classification Search**

USPC D11/143, 144, 147, 152-156, 164; D8/1;
D6/403, 405

CPC A01G 9/28

See application file for complete search history.

(56) **References Cited**

U.S. PATENT DOCUMENTS

780,118	A	*	1/1905	Mosier	A47G 7/07
						47/41.13
D78,584	S	*	5/1929	Niemczyk	D6/677.3
3,030,735	A	*	4/1962	Bodkins	A47G 7/041
						D11/155
D223,677	S	*	5/1972	Wienert	47/65
D252,869	S	*	9/1979	Dziewulski	D11/155
D258,206	S	*	2/1981	Bourke	D6/680.1
D271,355	S	*	11/1983	Altman	D11/152

(Continued)

FOREIGN PATENT DOCUMENTS

GB 6321948 * 9/2023

OTHER PUBLICATIONS

Cubiko Wall Planter, available Mar. 6, 2024, online, site visited Mar. 6, 2024. Available online, URL: <https://www.umbra.com/products/cubiko-wall-planter> (Year: 2024).*

(Continued)

Primary Examiner — W. A. Teddy Falloway
Assistant Examiner — Sarah J Ault
(74) *Attorney, Agent, or Firm* — Simpson & Simpson, PLLC

(57) **CLAIM**

The ornamental design for a planter, as shown and described.

DESCRIPTION

FIG. 1 is a front perspective view of the planter of the present invention;

FIG. 2 is a front elevational view of the planter shown in FIG. 1;

FIG. 3 is a rear elevational view of the planter shown in FIG. 1;

FIG. 4 is a top view of the planter shown in FIG. 1;

FIG. 5 is a bottom view of the planter shown in FIG. 1;

FIG. 6 is a left side elevational view of the planter shown in FIG. 1;

FIG. 7 is a right side elevational view of the planter shown in FIG. 1;

FIG. 8 is a front perspective view of a second embodiment of a planter;

FIG. 9 is a front elevational view of the planter shown in FIG. 8;

FIG. 10 is a rear elevational view of the planter shown in FIG. 8;

FIG. 11 is a top view of the planter shown in FIG. 8;

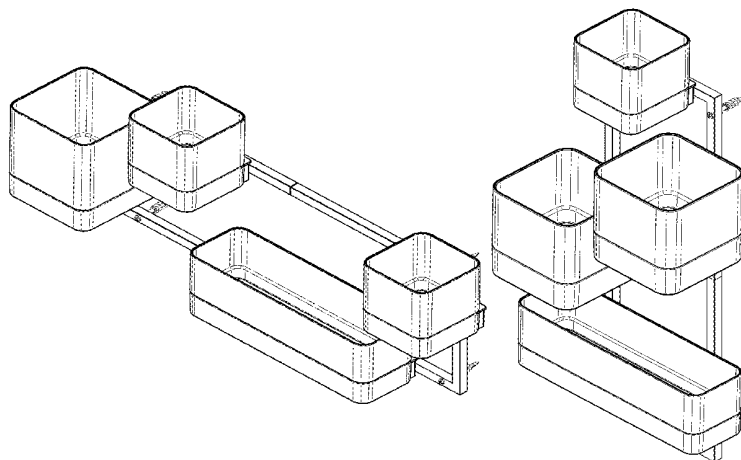
FIG. 12 is a bottom view of the planter shown in FIG. 8;

FIG. 13 is a left side elevational view of the planter shown in FIG. 8; and,

FIG. 14 is a right side elevational view of the planter shown in FIG. 8.

The broken lines shown illustrate portions of the planter and form no part of the claimed design.

1 Claim, 11 Drawing Sheets



(56)

References Cited

U.S. PATENT DOCUMENTS

4,561,208 A * 12/1985 Schultz A01G 9/023
D11/143
5,251,399 A * 10/1993 Rasmussen A01G 9/023
211/88.03
D342,335 S * 12/1993 Bowlby D11/143
D376,704 S * 12/1996 Burt D6/403
D390,754 S * 2/1998 Bank D7/600.4
7,832,147 B2 * 11/2010 Weast A01G 9/024
47/86
D629,631 S * 12/2010 Britigan D6/405
D675,127 S * 1/2013 DiMaggio D11/143
D742,279 S * 11/2015 Takaoka D11/156
D782,361 S * 3/2017 Williams D11/143
D1,000,312 S * 10/2023 Chen D11/144
2009/0173004 A1 * 7/2009 Weast A01G 9/023
47/86
2013/0185997 A1 * 7/2013 Trofe A01G 9/247
47/79
2020/0359568 A1 * 11/2020 Twito A01G 9/023

OTHER PUBLICATIONS

Connox—Umbra Cubiko Wall plant box, available Mar. 6, 2024, online, site visited Mar. 6, 2024. Available online, URL: <https://www.connox.com/categories/outdoor/flower-boxes/umbra-cubiko-wall-plant-box.html> (Year: 2024).*

Crate and Barrel—4 Box Wall Mounted Indoor/outdoor Planter, available Mar. 6, 2024, online, site visited Mar. 6, 2024. Available online, URL: <https://www.crateandbarrel.com/4-box-wall-mounted-indoor-outdoor-planter/s468772> (Year: 2024).*

* cited by examiner

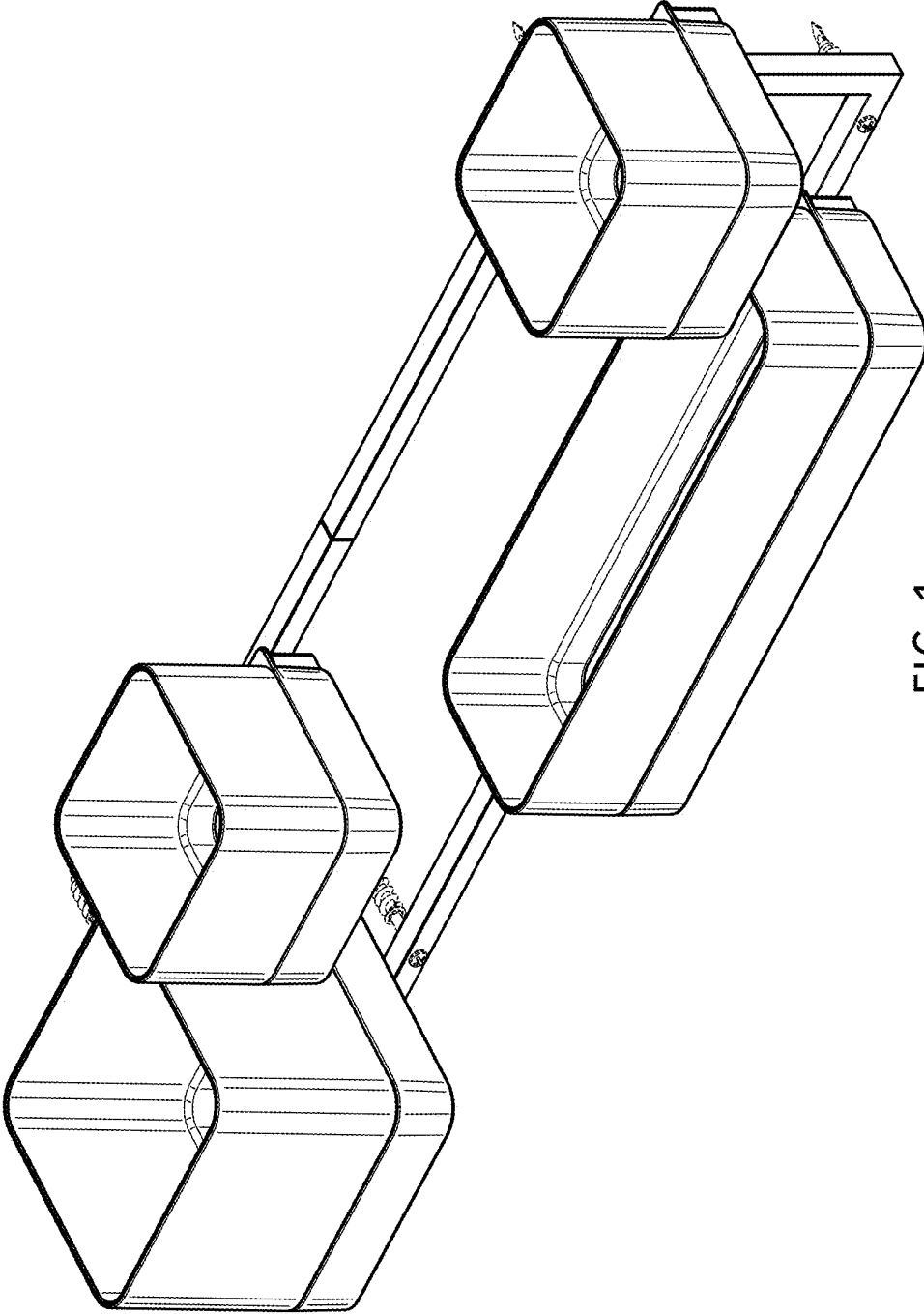


FIG. 1

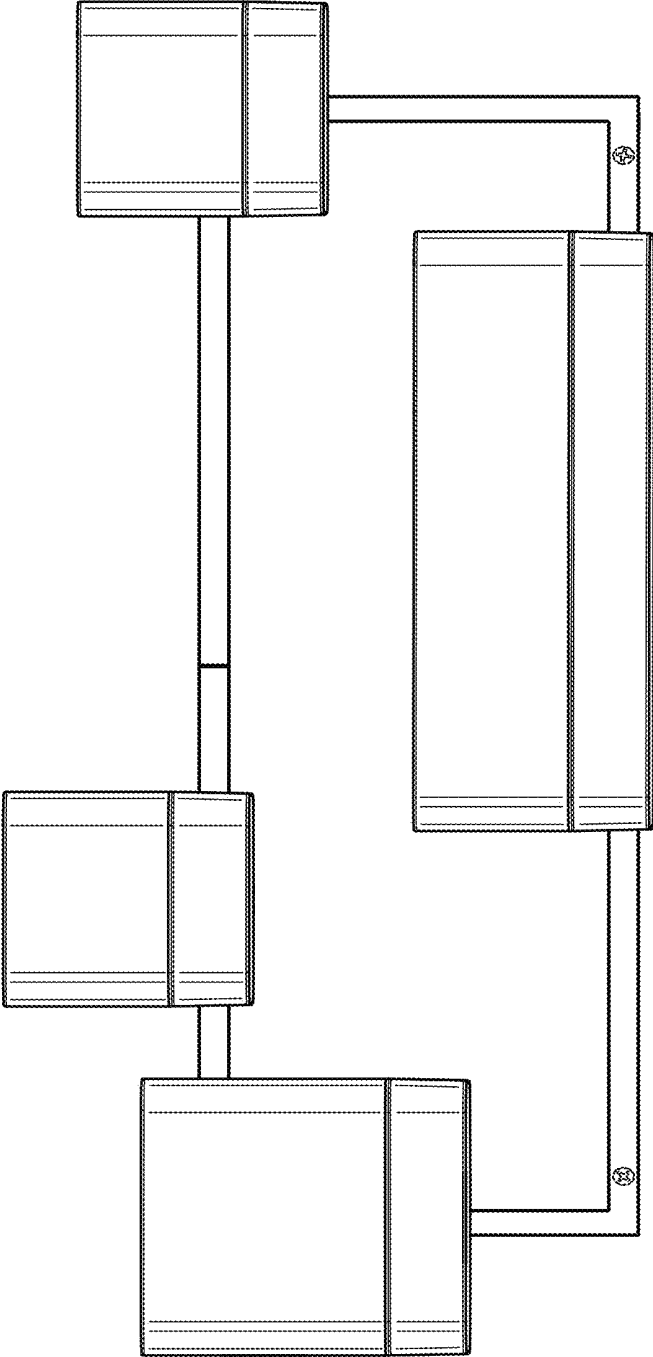


FIG. 2

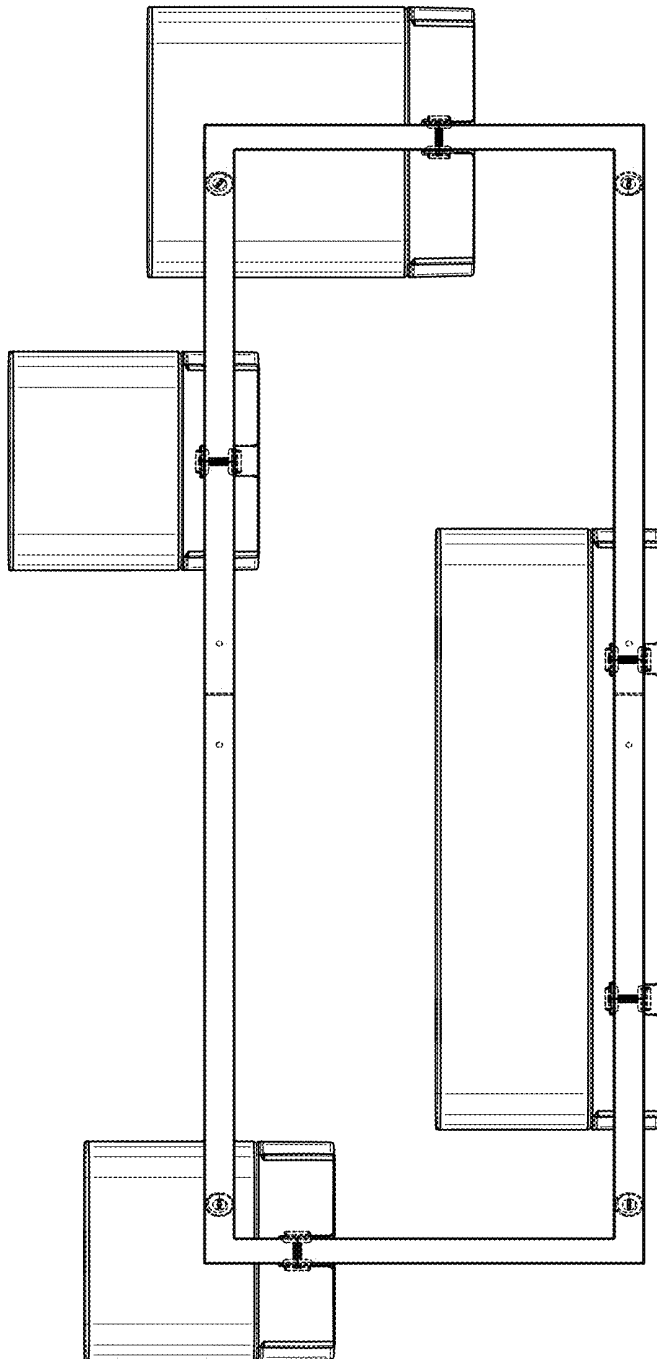


FIG. 3

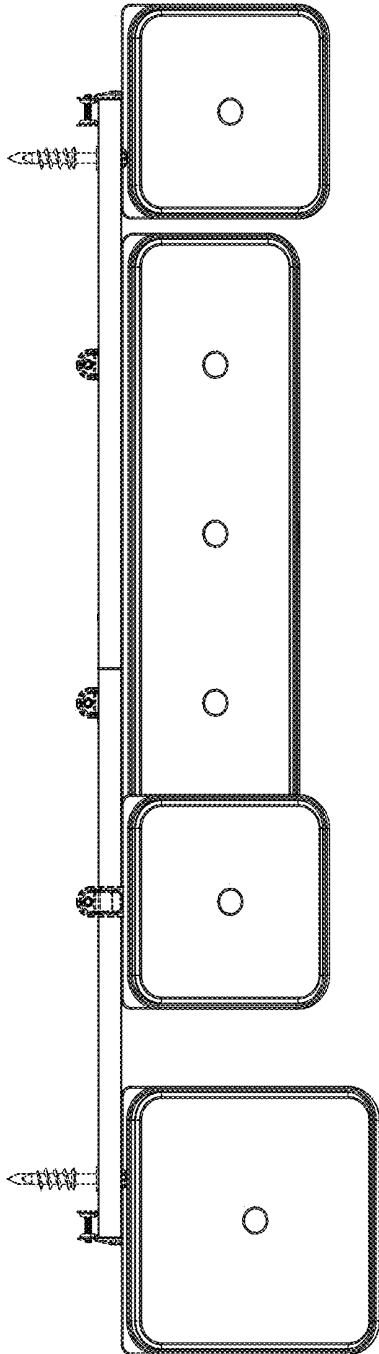


FIG. 4

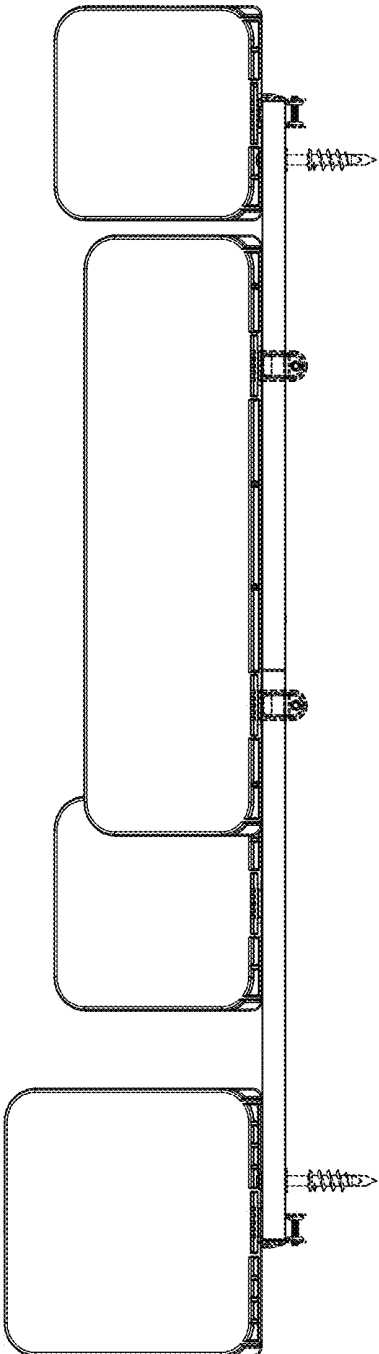


FIG. 5

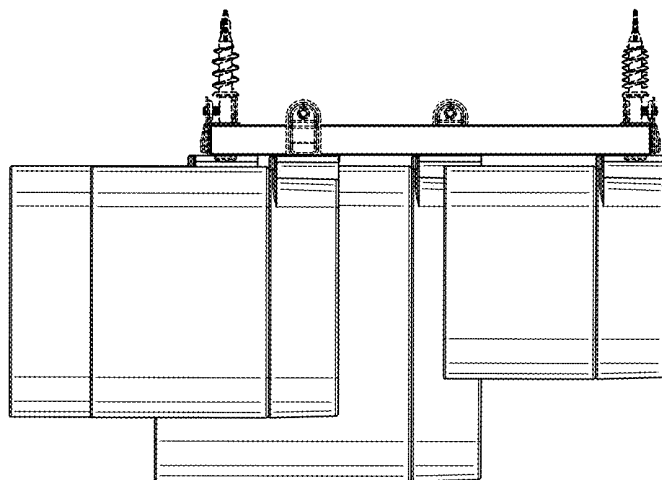


FIG. 7

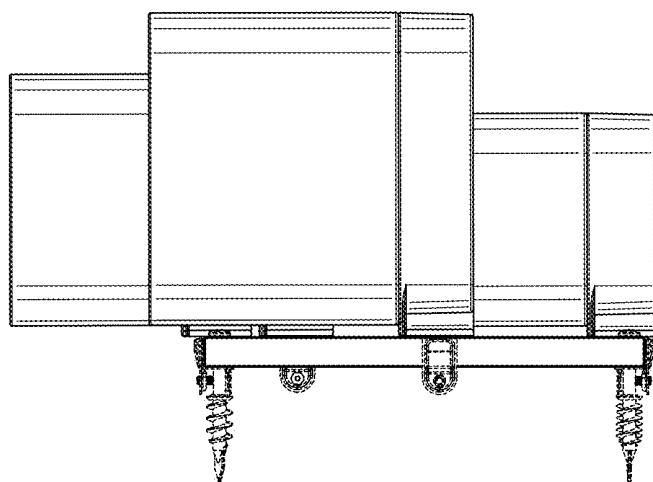


FIG. 6

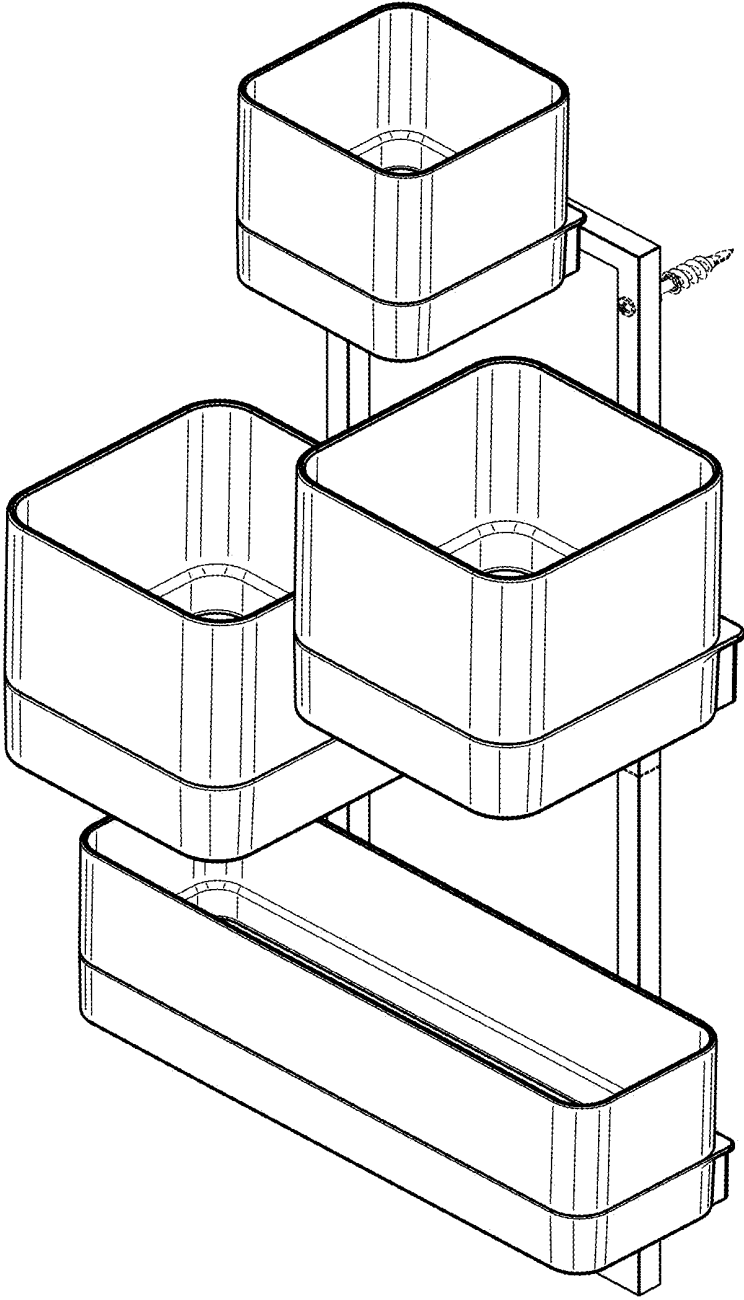


FIG. 8

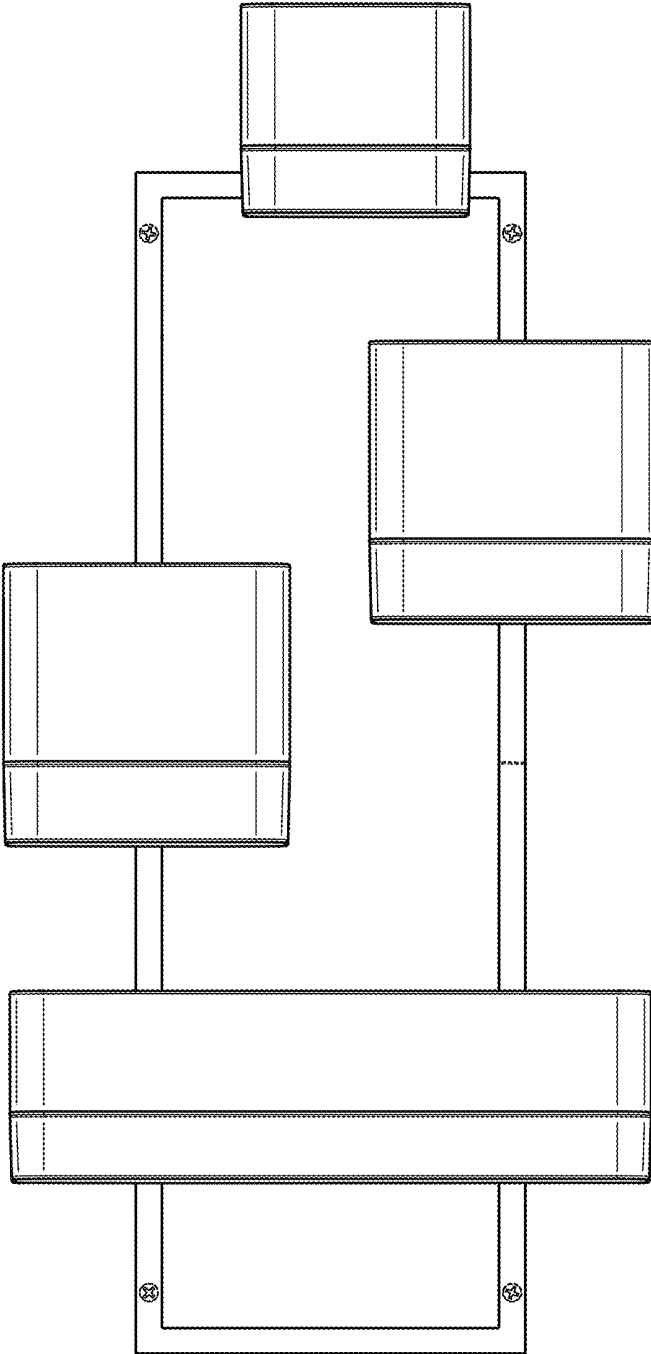


FIG. 9

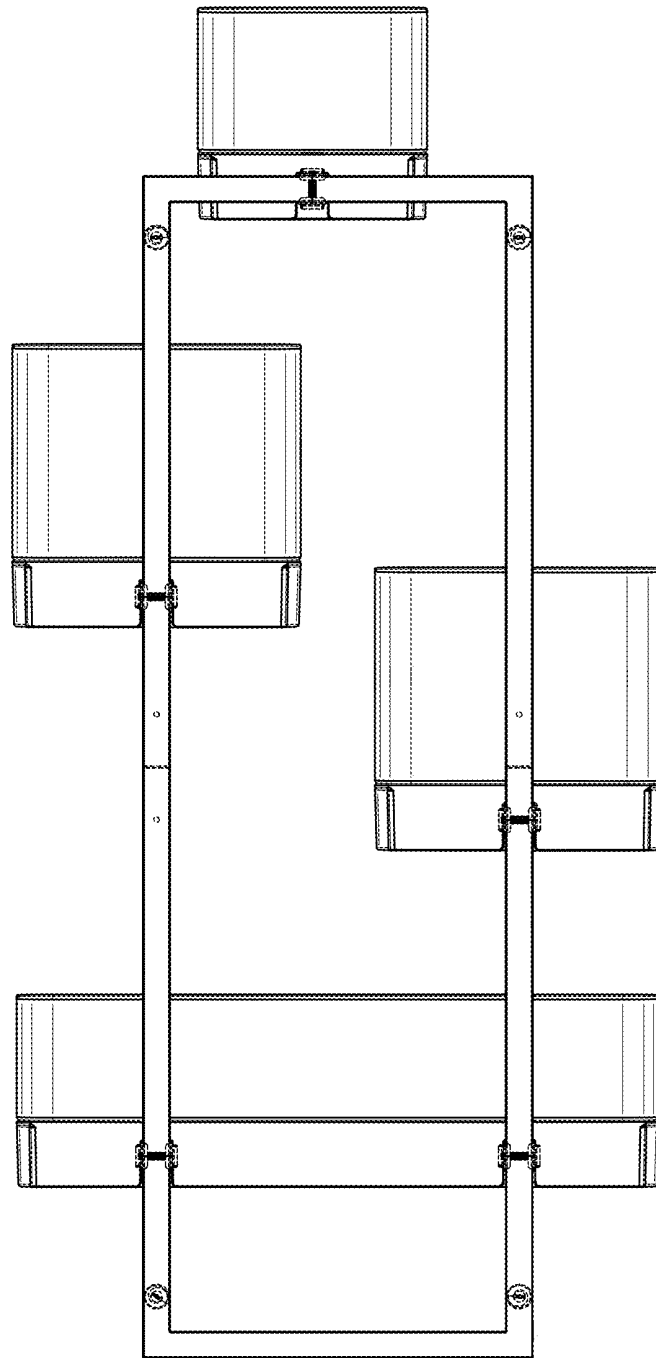


FIG. 10

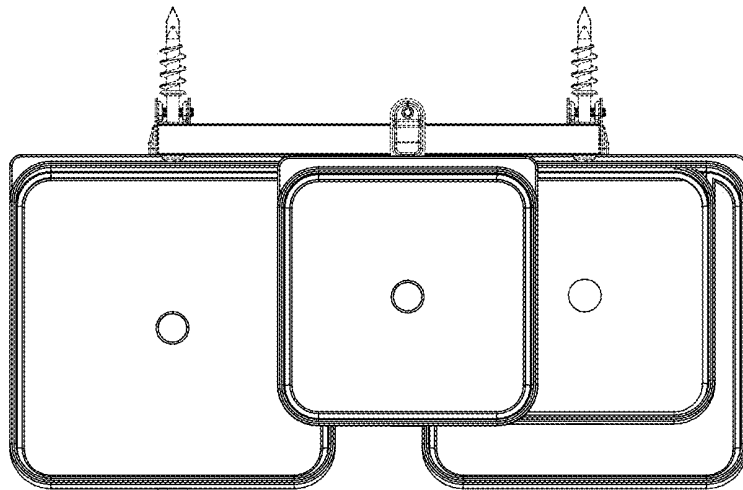


FIG. 11

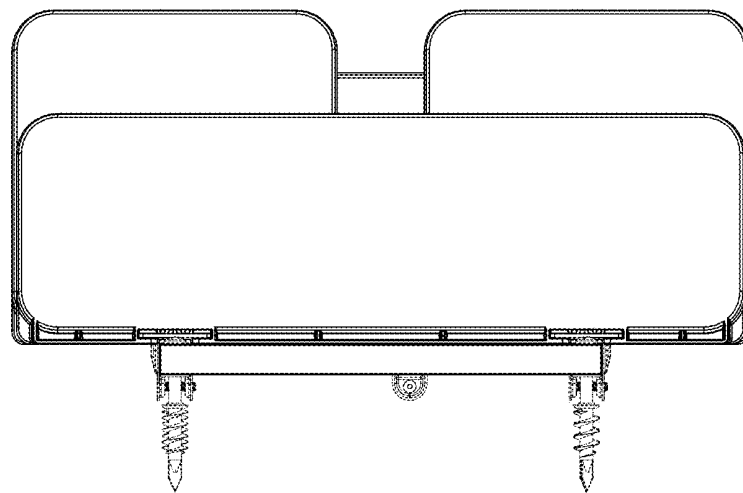


FIG. 12

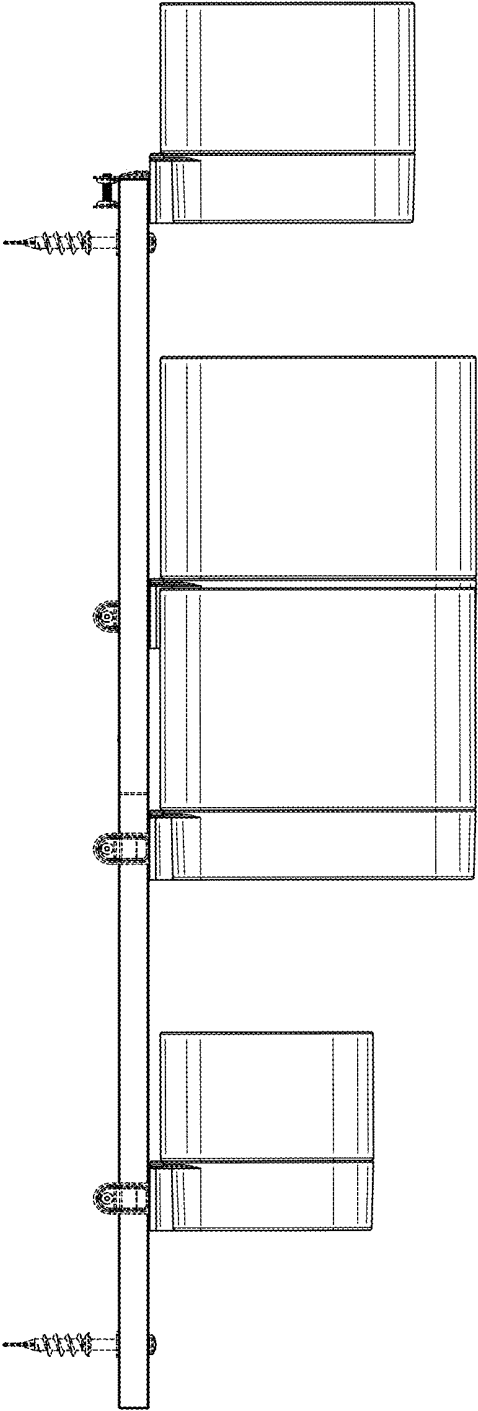


FIG. 13

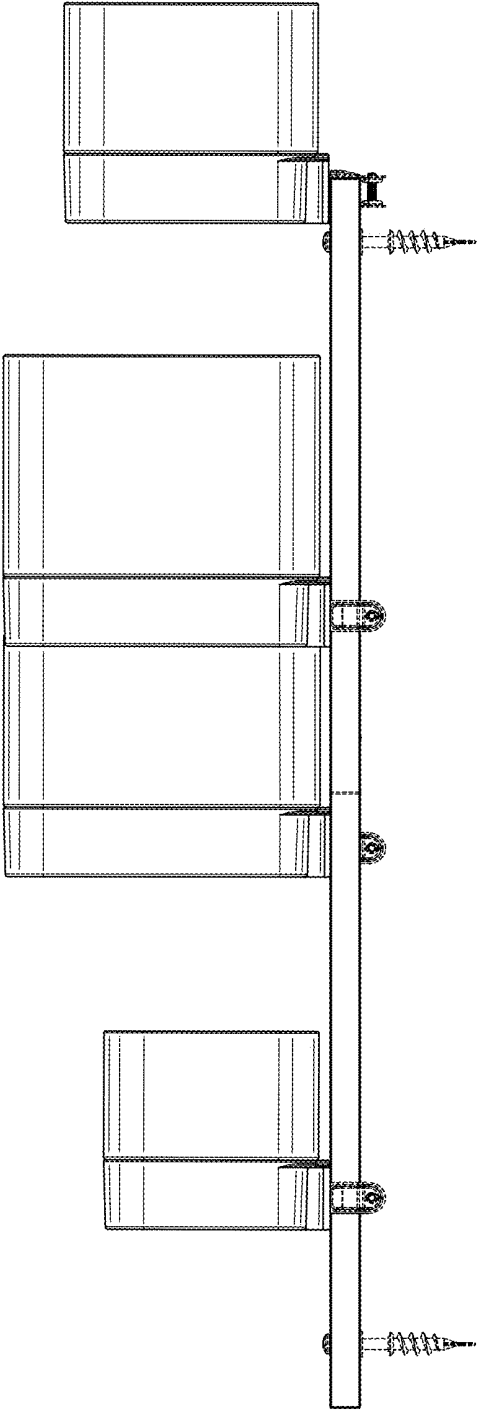


FIG. 14