



US0D1041898S

(12) **United States Design Patent** (10) **Patent No.: US D1,041,898 S**
Park (45) **Date of Patent: ** Sep. 17, 2024**

(54) **CADDY**
(71) Applicant: **Umbra LLC**, Buffalo, NY (US)
(72) Inventor: **Sung Wook Park**, Toronto (CA)
(73) Assignee: **Umbra LLC**, Buffalo, NY (US)
(**) Term: **15 Years**
(21) Appl. No.: **29/864,965**
(22) Filed: **Jun. 29, 2022**
(51) **LOC (14) Cl.** **09-04**
(52) **U.S. Cl.**
USPC **D3/310**
(58) **Field of Classification Search**
USPC D3/304, 307, 308, 310, 315
CPC . B65D 1/00; B65D 3/24; B65D 71/00; B65D
71/0003
See application file for complete search history.

(56) **References Cited**
U.S. PATENT DOCUMENTS
D142,366 S * 9/1945 Bourdius D3/308
3,359,873 A * 12/1967 Carle B65D 71/0003
206/203
D331,307 S * 11/1992 McConnell D3/308
D405,268 S * 2/1999 Apenes D3/309
D754,497 S * 4/2016 Chitsazan D7/705
D1,004,998 S * 11/2023 Xie D6/525

FOREIGN PATENT DOCUMENTS
JP D1157248 * 11/2002

OTHER PUBLICATIONS
[Dressing table organizer], posted May 29, 2023 [online], [retrieved Jan. 17, 2024]. Retrieved from internet, <https://a.co/d/hwTki9N> (Year: 2023).*

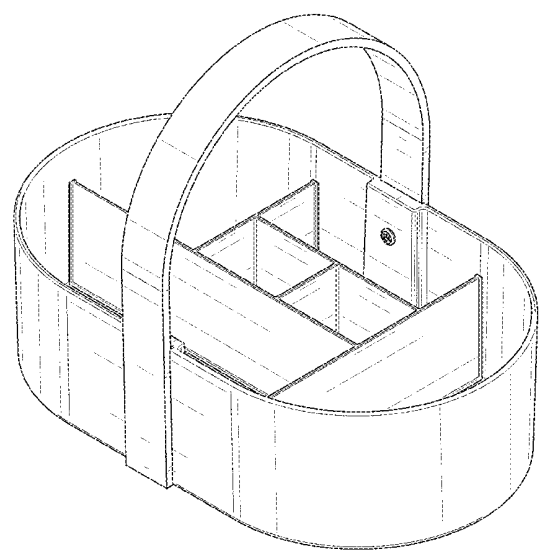
[Umbra Bellwood Caddy], posted Jul. 11, 2023 [online], [retrieved Jan. 17, 2024]. Retrieved from internet, <https://a.co/d/3L7IdDR> (Year: 2023).*
[Umbra Bellwood White Utility Caddy], posted date unknown [online], [retrieved Jan. 17, 2024]. Retrieved from internet, <https://www.crateandbarrel.com/umbra-bellwood-white-utility-caddy/s635578> (Year: 2024).*
[Koppa Tool Box, birch], posted date unknown [online], [retrieved Jan. 17, 2024]. Retrieved from internet, <https://www.finnishdesignshop.com/en-nl/product/koppa-tool-box-birch> (Year: 2024).*
[Handmade Storage Basket/Wooden Desk Organizer], posted date unknown [online], [retrieved Jan. 17, 2024]. Retrieved from internet, <https://www.etsy.com/listing/1541541109/handmade-storage-basketwooden-desk> (Year: 2024).*

* cited by examiner
Primary Examiner — Cynthia Ramirez
Assistant Examiner — Darcy Fabre
(74) *Attorney, Agent, or Firm* — Simpson & Simpson, PLLC

(57) **CLAIM**
The ornamental design for a caddy, as shown and described.

DESCRIPTION
FIG. 1 is a front perspective view of the caddy of the present invention;
FIG. 2 is a front elevational view of the caddy shown in FIG. 1;
FIG. 3 is a rear elevational view of the caddy shown in FIG. 1;
FIG. 4 is a left side elevational view of the caddy shown in FIG. 1;
FIG. 5 is a right side elevational view of the caddy shown in FIG. 1;
FIG. 6 is a top view of the caddy shown in FIG. 1; and
FIG. 7 is a bottom view of the caddy shown in FIG. 1.
The broken lines in the figures show portions of the caddy that form no part of the claimed design.

1 Claim, 7 Drawing Sheets



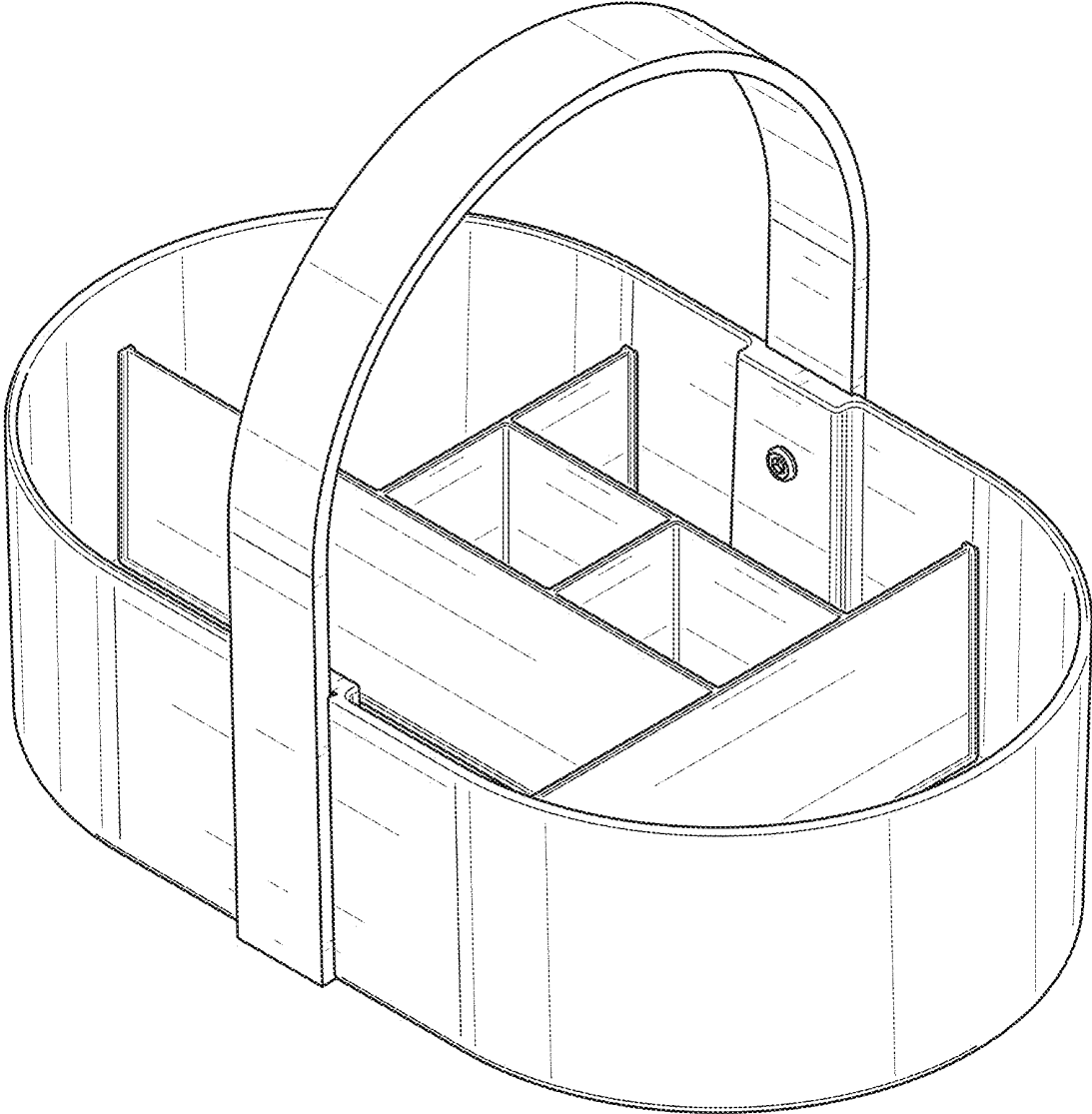


FIG. 1

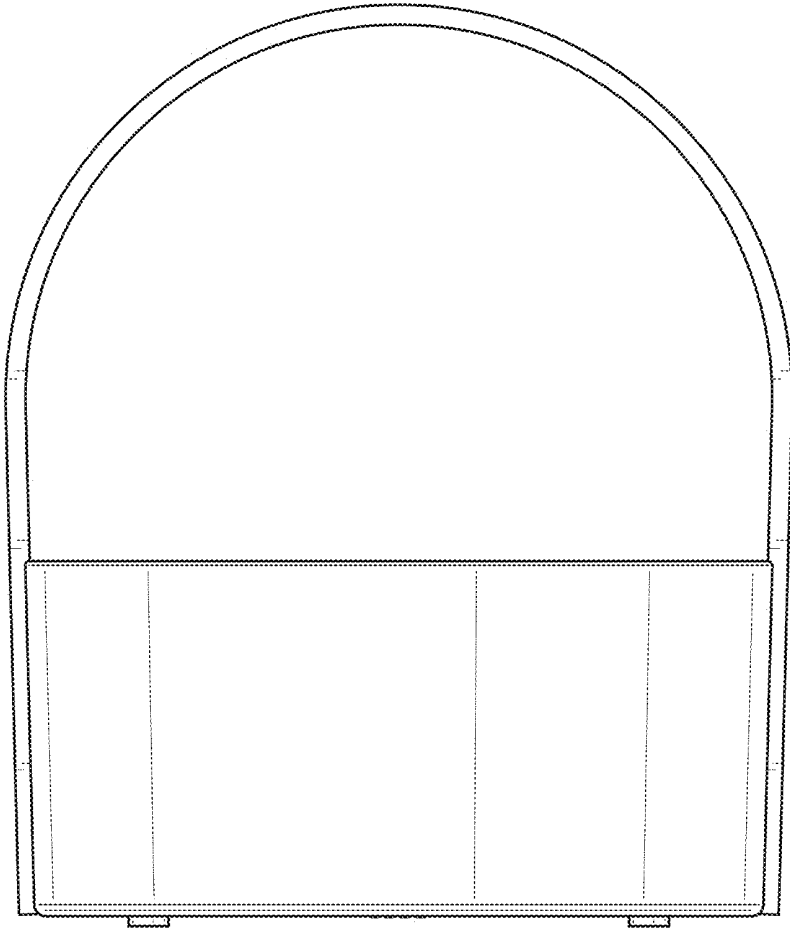


FIG. 2

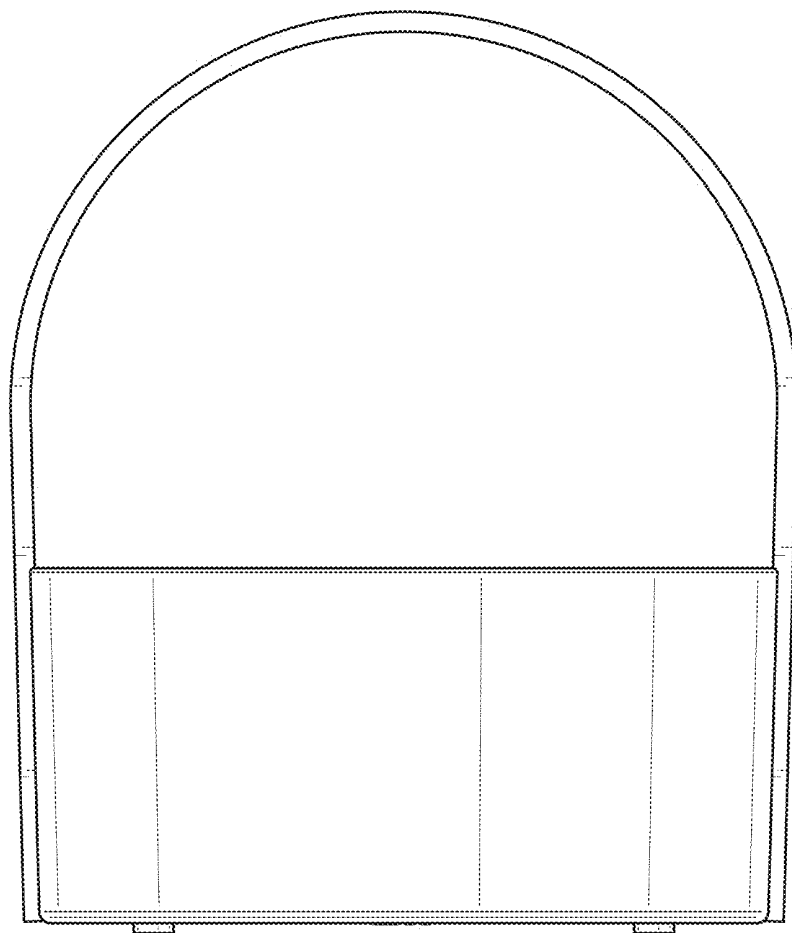


FIG. 3

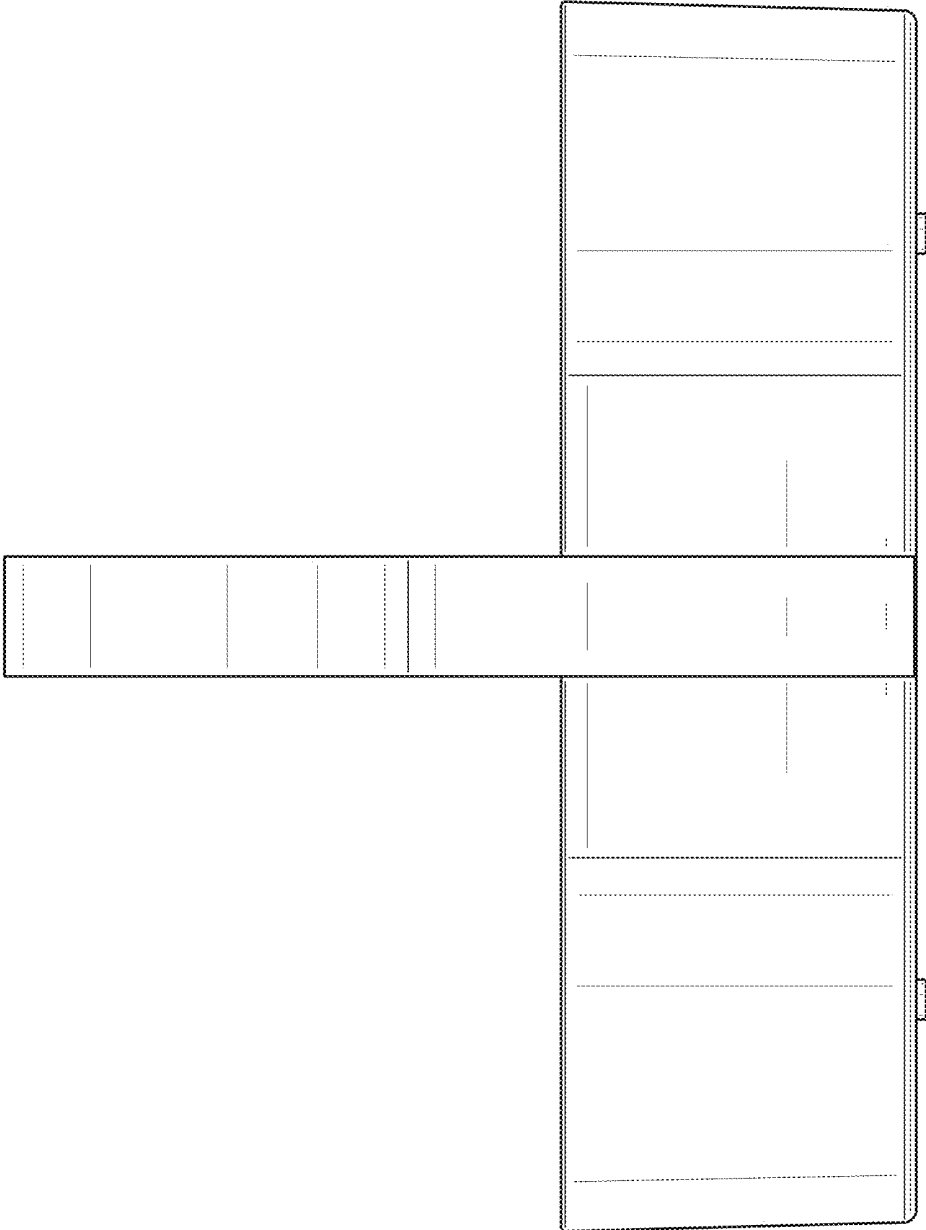


FIG. 4

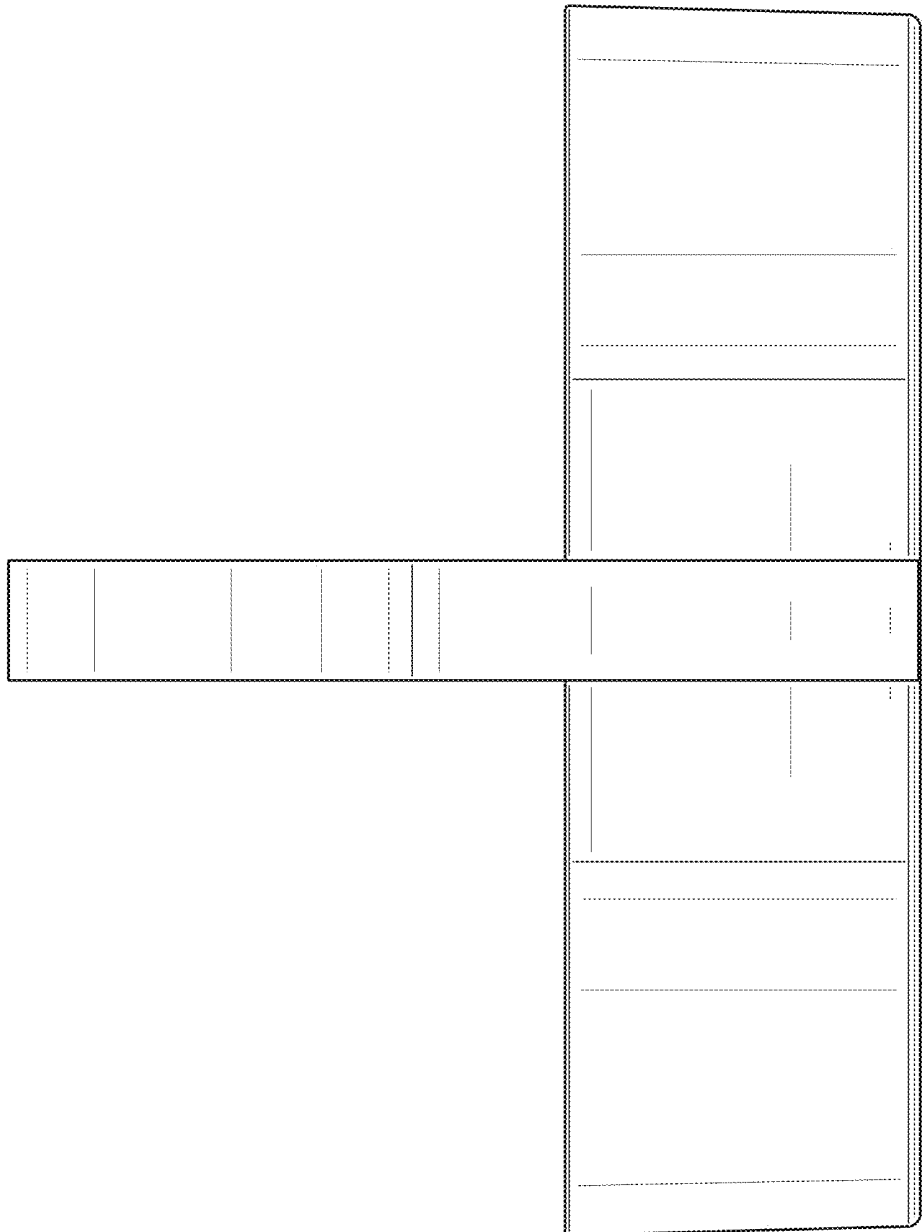


FIG. 5

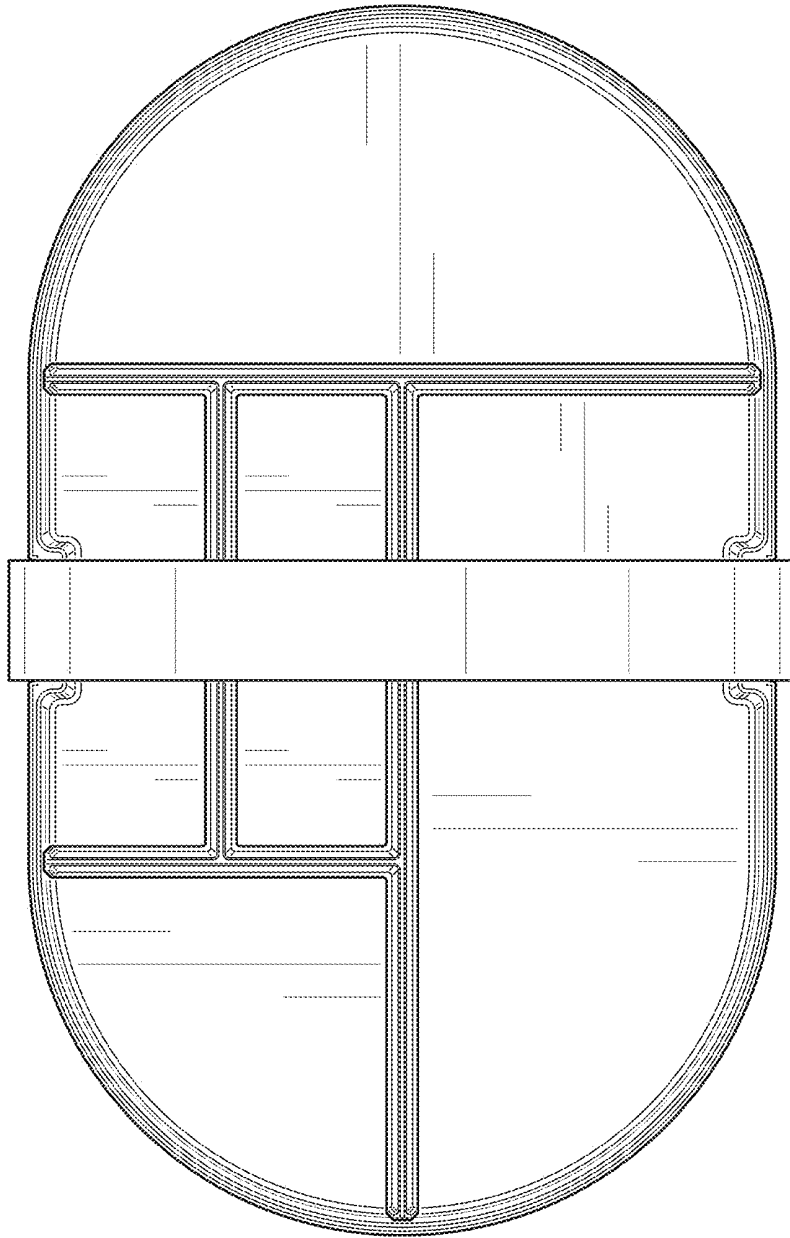


FIG. 6

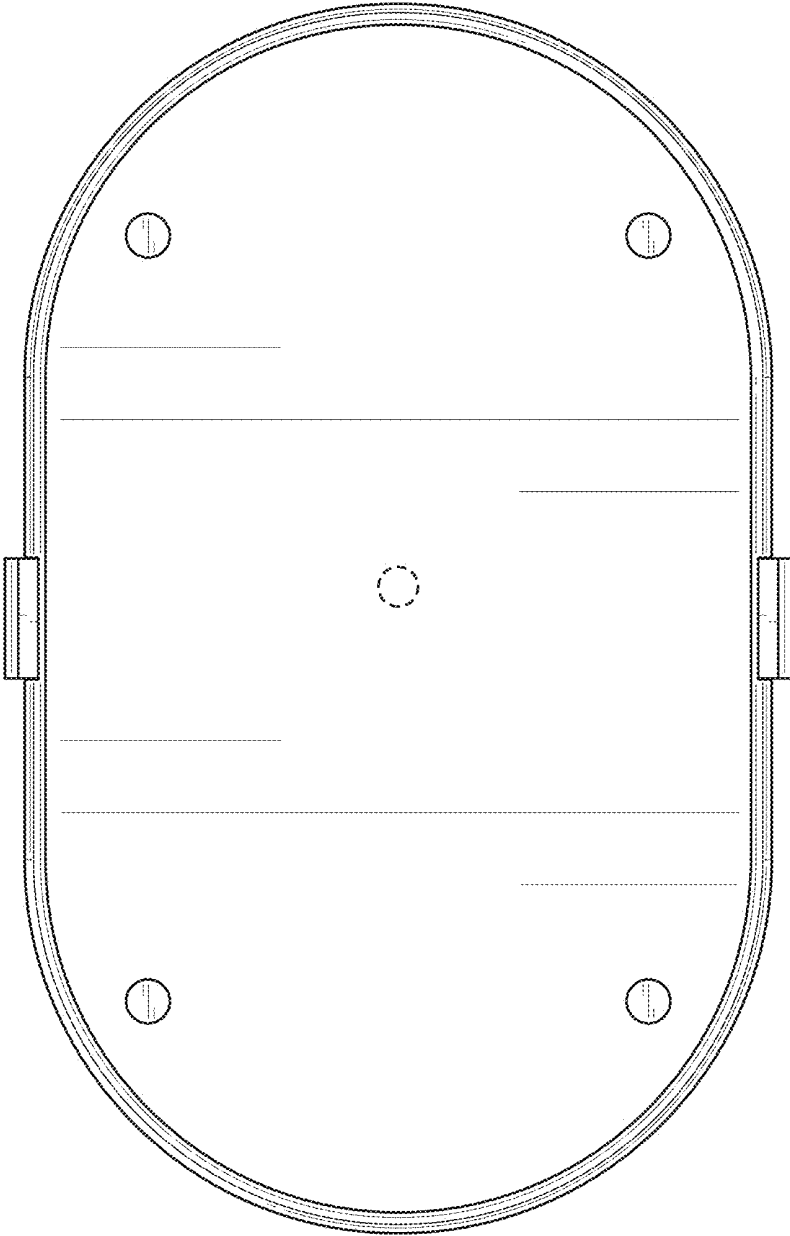


FIG. 7