

(12) **United States Design Patent** (10) **Patent No.:** **US D881,601 S**
Green et al. (45) **Date of Patent:** **** *Apr. 21, 2020**

(54) **SHOE MAT** 4,621,003 A * 11/1986 O’Kane B32B 3/06
 428/71
 (71) Applicant: **Umbra LLC**, Buffalo, NY (US) D436,784 S * 1/2001 Iacovelli A47G 23/0303
 D12/203
 (72) Inventors: **David Green**, Toronto (CA); **Eugenie De Loynes**, Toronto (CA) D468,501 S * 1/2003 Fernando D32/47
 D556,260 S * 11/2007 Starr D19/59
 D641,936 S * 7/2011 Simpson D30/118
 D685,544 S * 7/2013 Clarke D32/40
 (73) Assignee: **Umbra LLC**, Buffalo, NY (US) (Continued)

(*) Notice: This patent is subject to a terminal disclaimer.

(**) Term: **15 Years**

(21) Appl. No.: **29/641,167**

(22) Filed: **Mar. 20, 2018**

(51) **LOC (12) Cl.** **06-11**

(52) **U.S. Cl.** **D6/582**
 USPC **D6/582**

(58) **Field of Classification Search**
 USPC D6/582–585, 587–589, 591, 592;
 D21/662, 792; D12/203; D32/46, 47, 57
 CPC A47G 23/0303; A47G 27/0206; A47G
 27/0212; A47G 27/0218; A47G 27/0225;
 A47G 27/0237; A47G 9/06; A47G 9/062;
 A47L 23/20; A47L 23/24; A47L 23/26;
 A47L 23/266; A63B 21/4037; A63B 6/00;
 A63B 21/00; A47K 3/002
 See application file for complete search history.

(56) **References Cited**

U.S. PATENT DOCUMENTS

232,408 A * 9/1880 Lilly A47L 23/26
 15/216
 345,291 A * 7/1886 Fein A47L 23/26
 15/216
 477,545 A * 6/1892 Howell A47L 23/24
 15/238
 1,830,455 A * 11/1931 Zmel A47L 23/26
 15/112
 4,393,104 A * 7/1983 Fink A47G 23/0303
 428/187

OTHER PUBLICATIONS

“Shoe Dry” by Umbra. Amazon.com Feb. 20, 2018. <<https://www.amazon.com/Umbra-Multipurpose-Machine-Washable-Drying-Holds-Charcoal/dp/B078G1JLSL>>. Accessed on Nov. 16, 2018. (Year: 2018).*

Primary Examiner — Kevin K Rudzinski
Assistant Examiner — Clare Ann Gannon
 (74) *Attorney, Agent, or Firm* — Simpson & Simpson, PLLC

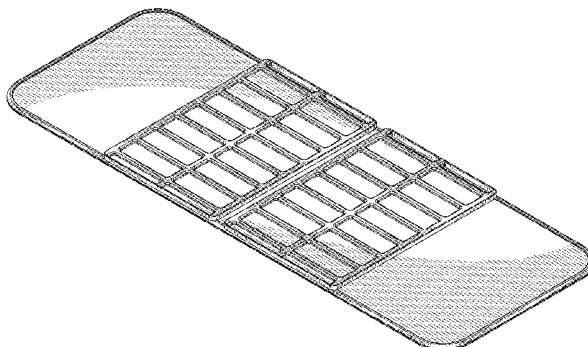
(57) **CLAIM**

The ornamental design for a shoe mat, as shown and described.

DESCRIPTION

FIG. 1 is a front perspective view of the shoe mat, showing the new design;
 FIG. 2 is a front elevational view thereof;
 FIG. 3 is a right side elevational view thereof;
 FIG. 4 is a back elevational view thereof;
 FIG. 5 is a left side elevational view thereof;
 FIG. 6 is a top plan view thereof;
 FIG. 7 is a bottom plan view thereof;
 FIG. 8 is a front perspective view thereof, shown in an alternate configuration; and,
 FIG. 9 is a front perspective view thereof, shown in an alternate configuration.
 Broken lines depict portions of the article that form no part of the claimed design.

1 Claim, 9 Drawing Sheets



(56)

References Cited

U.S. PATENT DOCUMENTS

D773,142 S * 11/2016 Green A47L 19/00
D32/55
D774,719 S * 12/2016 Green D32/55
D776,386 S * 1/2017 Green D32/55
D781,518 S * 3/2017 Green D32/55
D785,105 S * 4/2017 Armitage D21/686
2008/0073300 A1* 3/2008 Abraitis A47B 61/04
211/36
2008/0149644 A1* 6/2008 Piacenza A47L 19/04
220/572
2009/0110867 A1* 4/2009 Feng Shen A63B 6/00
428/71

* cited by examiner

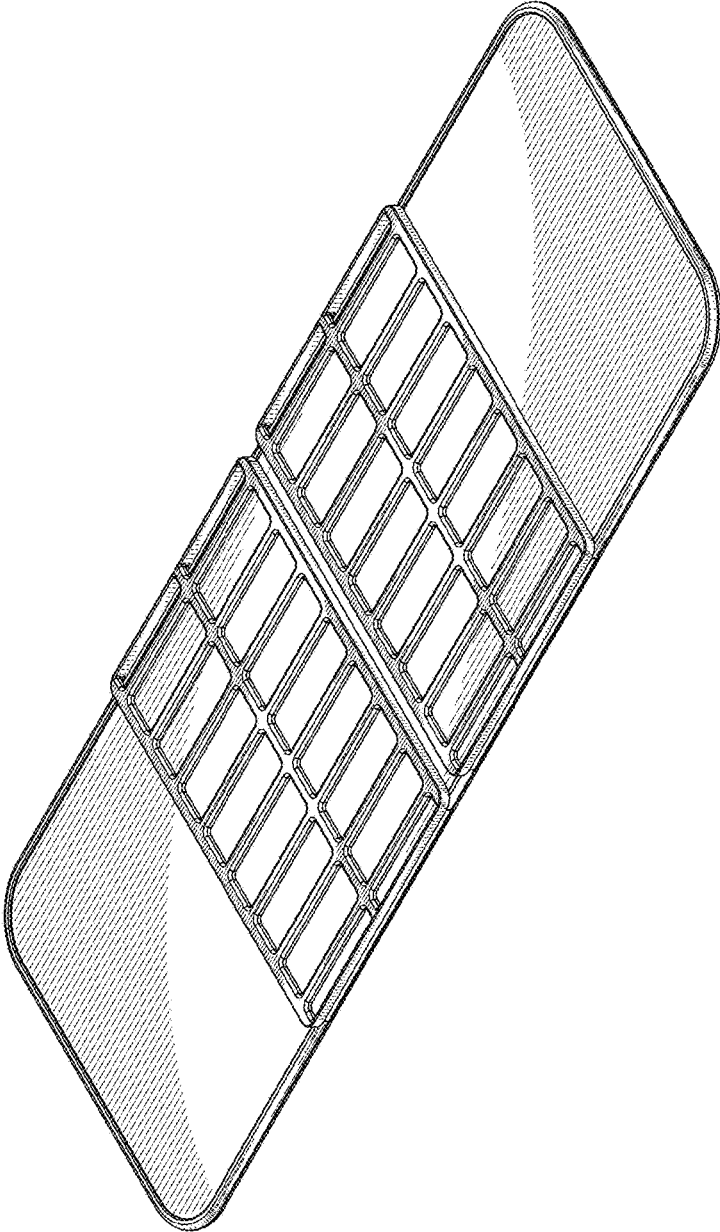


FIG. 1

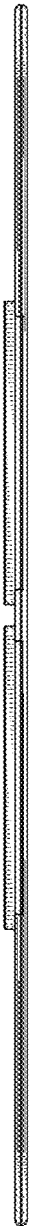


FIG. 2

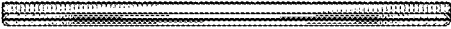


FIG. 3



FIG. 4



FIG. 5

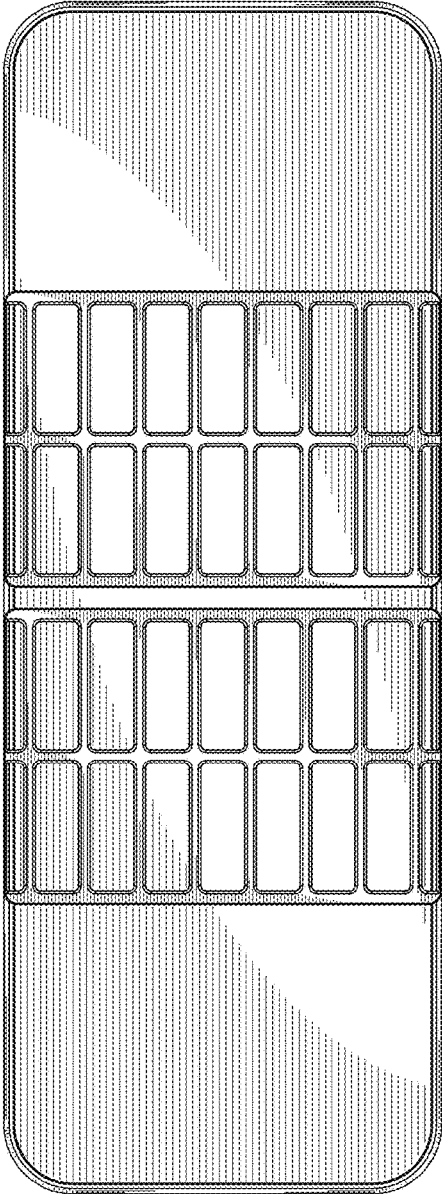


FIG. 6

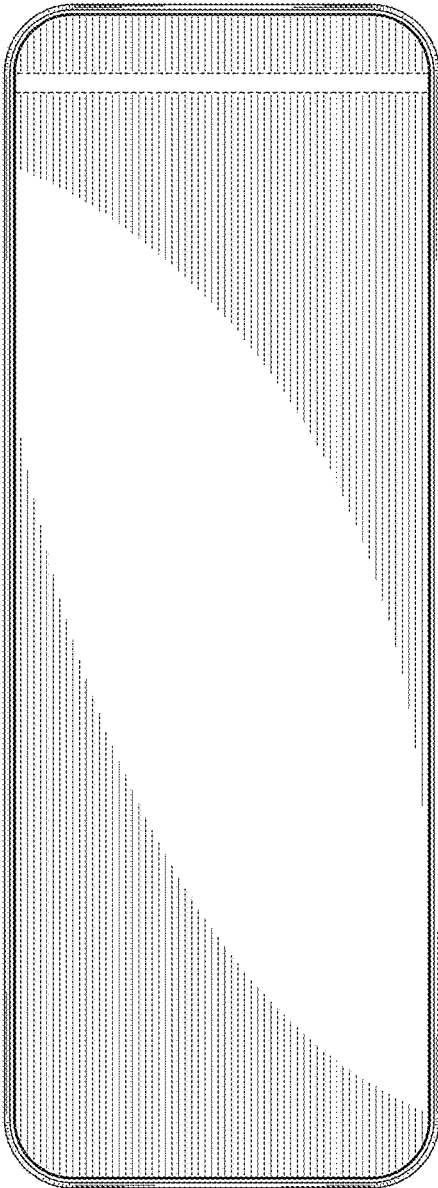


FIG. 7

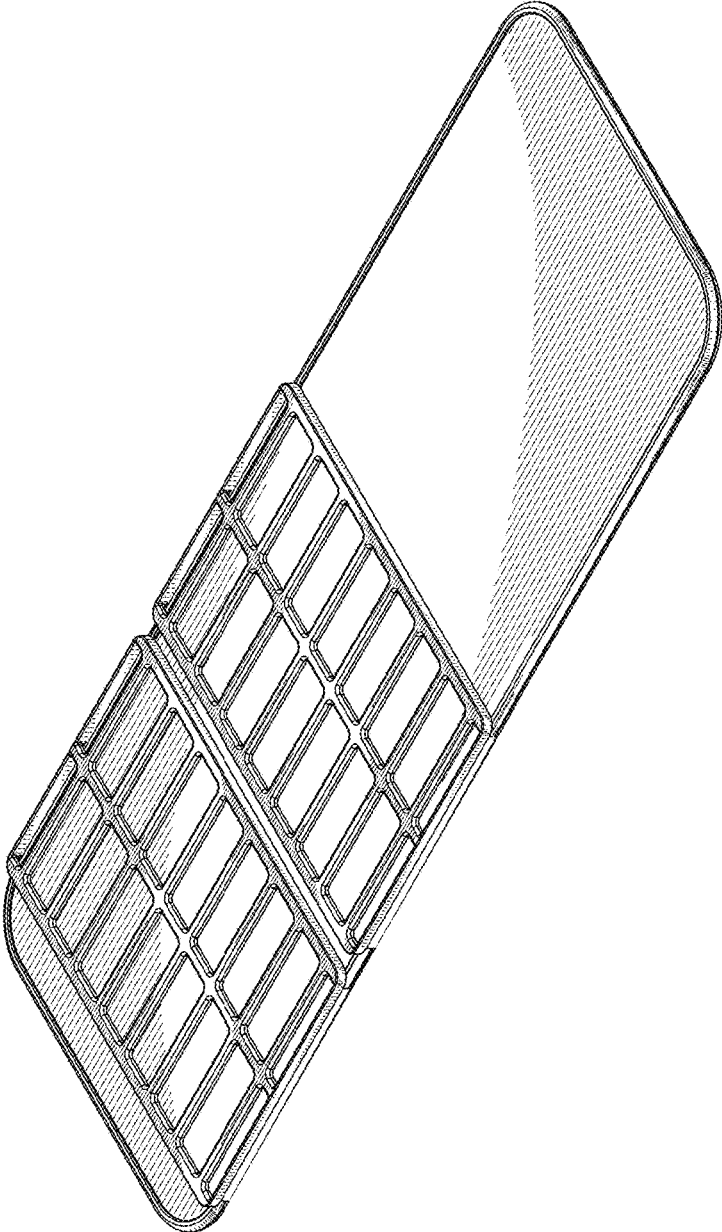


FIG. 8

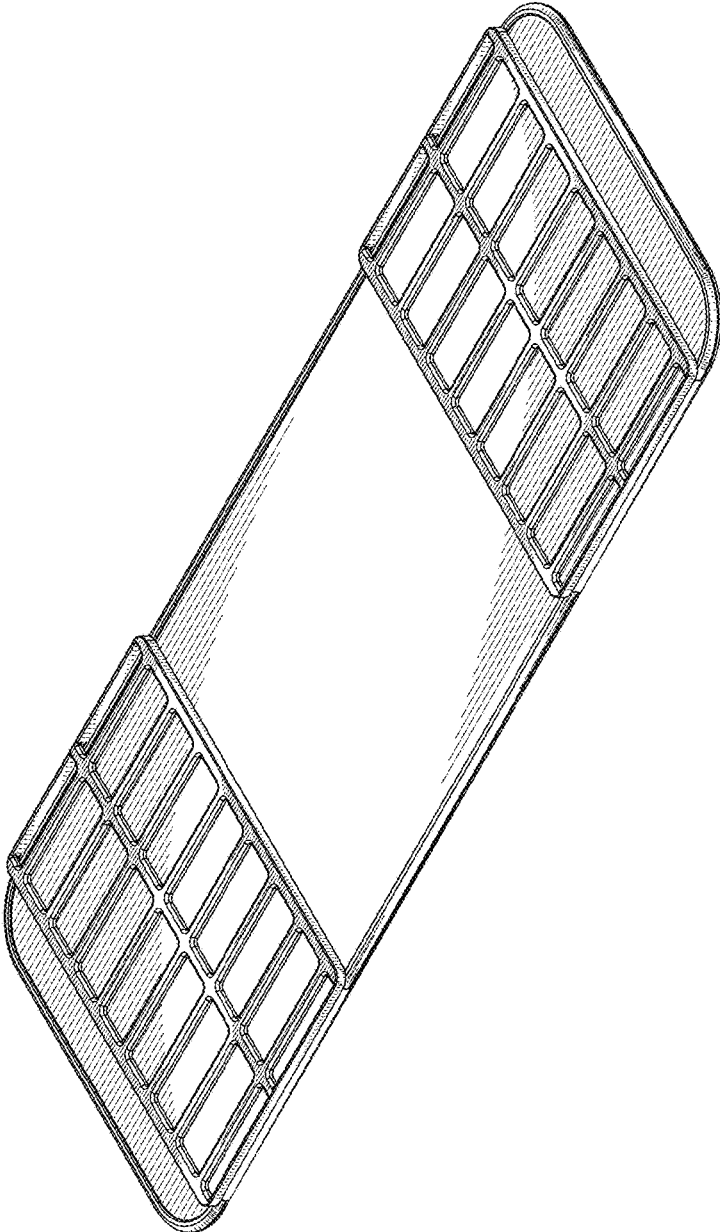


FIG. 9