



US00D845165S

(12) **United States Design Patent** (10) **Patent No.:** **US D845,165 S**  
**Park** (45) **Date of Patent:** **\*\* Apr. 9, 2019**

(54) **TIERED PLANTER**

FOREIGN PATENT DOCUMENTS

(71) Applicant: **Umbra LLC**, Buffalo, NY (US)

EM 004406601-0003 \* 11/2017

(72) Inventor: **Sung Wook Park**, Toronto (CA)

OTHER PUBLICATIONS

(73) Assignee: **Umbra LLC**, Buffalo, NY (US)

Umbra website, NESTA Tiered Planter, Wayback Machine Internet Archive earliest publication date Sep. 11, 2017, [site visited Aug. 11, 2018], Available on the Internet URL [https://web.archive.org/web/20170911065124/http://www.umbra.com/usd/nest-w.\\*](https://web.archive.org/web/20170911065124/http://www.umbra.com/usd/nest-w.*)

(\*\*) Term: **15 Years**

(Continued)

(21) Appl. No.: **29/619,013**

(22) Filed: **Sep. 26, 2017**

*Primary Examiner* — Karen S Acker

(51) **LOC (11) Cl.** ..... **11-02**

*Assistant Examiner* — Steven B Reinholdt, Jr.

(52) **U.S. Cl.**  
USPC ..... **D11/154**

(74) *Attorney, Agent, or Firm* — Simpson & Simpson, PLLC

(58) **Field of Classification Search**  
USPC ..... D11/148, 149, 152, 153, 154; D23/267;  
D7/608, 609, 704  
CPC ..... A47G 7/044  
See application file for complete search history.

(57) **CLAIM**

The ornamental design for a tiered planter, as shown and described.

**DESCRIPTION**

(56) **References Cited**

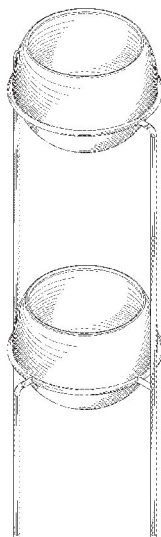
U.S. PATENT DOCUMENTS

813,789	A *	2/1906	Fox	.....	B65D 7/20 206/446
D87,162	S *	6/1932	Malik	.....	D6/403
D189,864	S *	3/1961	Bloomfield	.....	D7/603
4,024,670	A *	5/1977	Stanley	.....	A01G 9/029 47/73
D256,110	S *	7/1980	Dunbar	.....	D11/153
D425,326	S *	5/2000	Rehmert	.....	D6/403
D434,696	S *	12/2000	Ward	.....	D11/151
D484,433	S *	12/2003	Moody, Jr.	.....	D11/131
D484,715	S *	1/2004	Missry	.....	D6/403
D545,079	S *	6/2007	Peterson	.....	D6/403
D562,879	S *	2/2008	Lerner	.....	D17/22
D571,615	S *	6/2008	Talbot	.....	D7/558
D575,327	S *	8/2008	Lerner	.....	D17/22
D610,009	S *	2/2010	Prufer	.....	D9/504
D729,370	S *	5/2015	Chou	.....	D23/366

(Continued)

FIG. 1 is a perspective view of a tiered planter showing my new design;  
FIG. 2 is a front elevational view of the tiered planter shown in FIG. 1;  
FIG. 3 is a left side elevational view of the tiered planter shown in FIG. 1;  
FIG. 4 is a back elevational view of the tiered planter shown in FIG. 1;  
FIG. 5 is a right side elevational view of the tiered planter shown in FIG. 1;  
FIG. 6 is a top plan view of the tiered planter shown in FIG. 1; and,  
FIG. 7 is a bottom plan view of the tiered planter shown in FIG. 1.  
Shading and contour lines are included to convey the curvature of the tiered planter and transitions to the flat planes of the bottom of the article.

**1 Claim, 6 Drawing Sheets**



(56)

**References Cited**

U.S. PATENT DOCUMENTS

D770,860 S \* 11/2016 Wampold ..... D7/608  
D817,935 S \* 5/2018 Zukowski ..... D14/228

OTHER PUBLICATIONS

YouTube—Umbra, NESTA Tiered Planter Umbra, Published Aug. 2, 2017, [site visited Aug. 11, 2018], Available on the Internet URL <https://www.youtube.com/watch?v=UvXWw9xZk78>.\*

\* cited by examiner

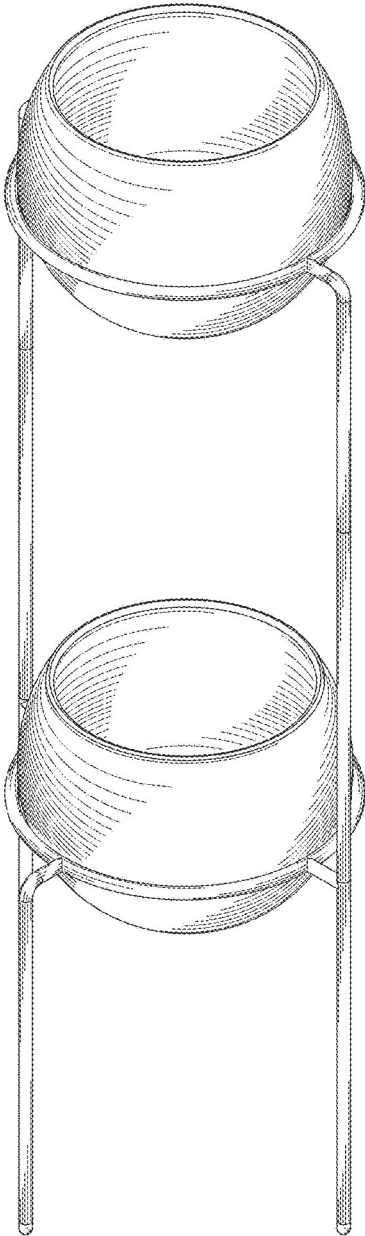


FIG. 1

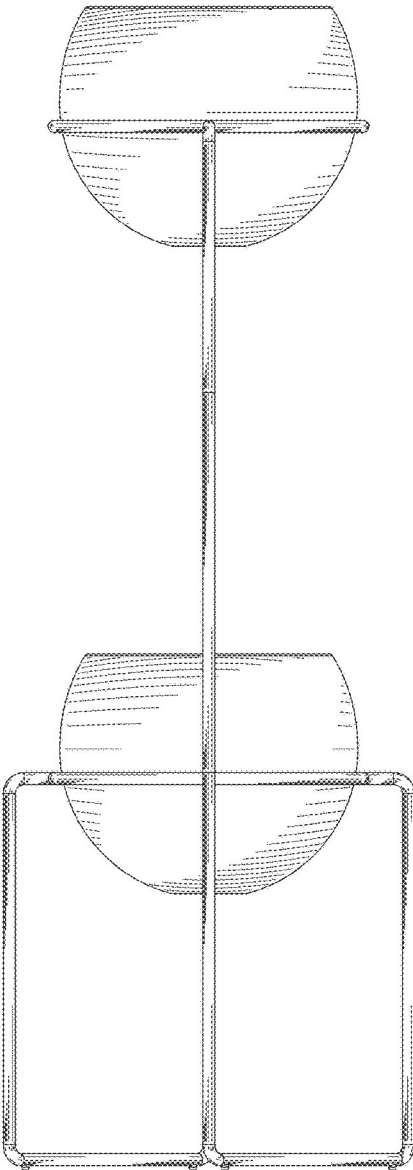


FIG. 2

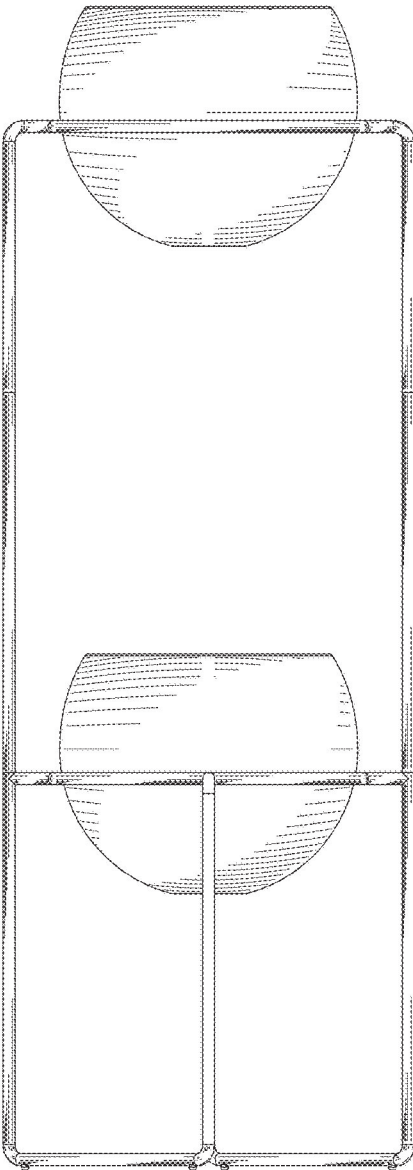


FIG. 3

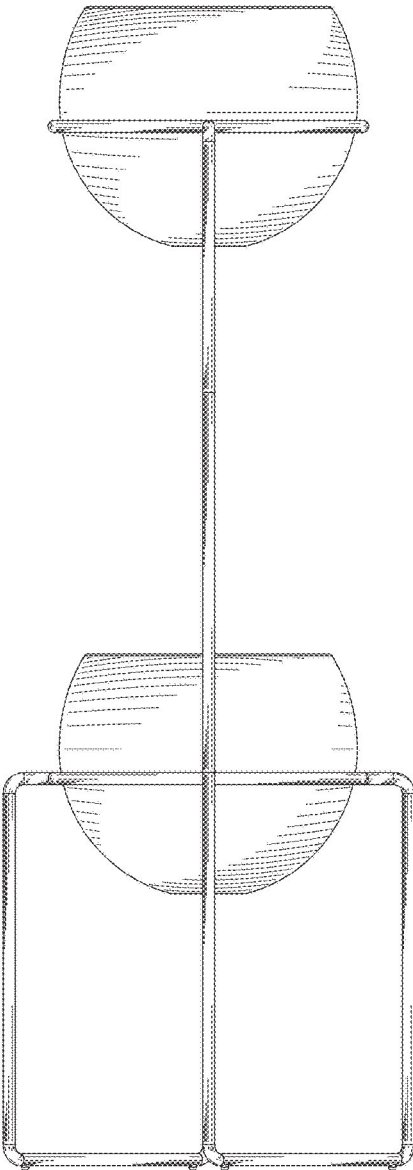


FIG. 4

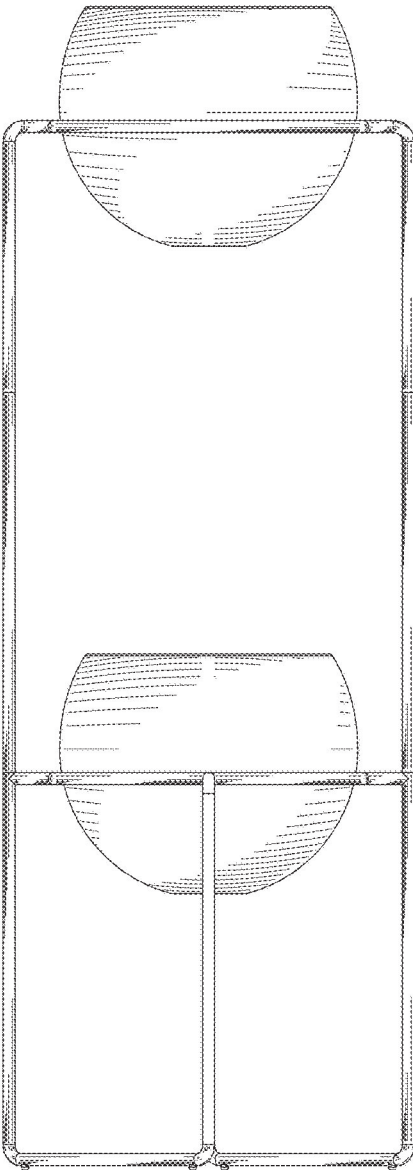


FIG. 5

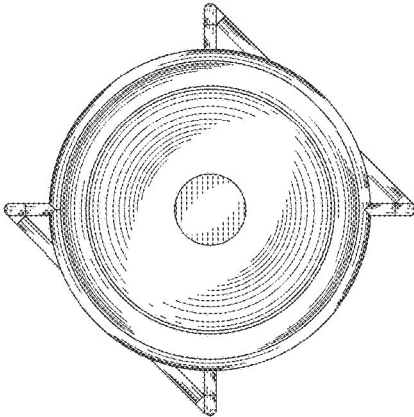


FIG. 6

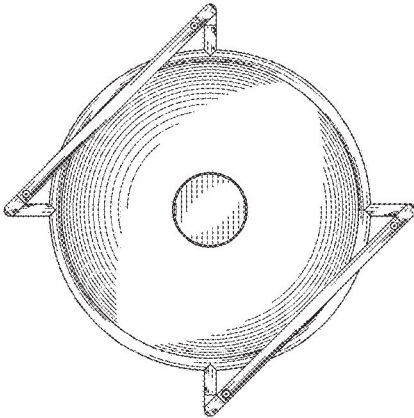


FIG. 7