



US00D634089S

(12) **United States Design Patent**
Wisniewski

(10) **Patent No.:** **US D634,089 S**

(45) **Date of Patent:** **** Mar. 8, 2011**

(54) **DISH RACK**

(75) Inventor: **Alan Wisniewski**, Toronto (CA)

(73) Assignee: **Umbra LLC**, Buffalo, NY (US)

(**) Term: **14 Years**

(21) Appl. No.: **29/352,490**

(22) Filed: **Dec. 22, 2009**

(51) **LOC (9) Cl.** **07-05**

(52) **U.S. Cl.** **D32/55**

(58) **Field of Classification Search** D32/55,
D32/276, 3; D6/510, 525; D30/133; 211/41.5,
211/41.4, 41.3, 41.8; 361/679.4; 312/311,
312/333, 334.4
See application file for complete search history.

(56) **References Cited**

U.S. PATENT DOCUMENTS

| | | | | | |
|-----------|-----|---------|------------------|-------|----------|
| 1,675,665 | A * | 7/1928 | Ritz Woller | | 280/169 |
| D158,838 | S * | 6/1950 | Caldwell | | D6/583 |
| D193,835 | S * | 10/1962 | Kraines | | D32/57 |
| 3,387,315 | A * | 6/1968 | Stata | | 15/215 |
| D271,339 | S * | 11/1983 | Lee | | D32/55 |
| D310,460 | S * | 9/1990 | Vergnano | | D6/583 |
| D347,718 | S * | 6/1994 | Craft et al. | | D32/57 |
| D353,302 | S * | 12/1994 | Fish | | D7/504 |
| D358,572 | S * | 5/1995 | Thundercloud | | D12/203 |
| D418,721 | S * | 1/2000 | Goodman et al. | | D7/624.1 |
| D436,566 | S * | 1/2001 | Iacovelli et al. | | D12/203 |
| D446,369 | S * | 8/2001 | Smith et al. | | D32/55 |
| D486,360 | S * | 2/2004 | Sellers | | D8/1 |
| D487,860 | S * | 3/2004 | Turner | | D7/504 |

| | | | | | |
|----------|-----|---------|-------------|-------|---------|
| D508,368 | S * | 8/2005 | Lion et al. | | D7/388 |
| D520,699 | S * | 5/2006 | Yang et al. | | D32/55 |
| D555,311 | S * | 11/2007 | Yang et al. | | D32/55 |
| D559,491 | S * | 1/2008 | Yang et al. | | D32/55 |
| D581,619 | S * | 11/2008 | Yang et al. | | D32/55 |
| D586,061 | S * | 2/2009 | Curtin | | D32/55 |
| D591,013 | S * | 4/2009 | Mose | | D30/199 |
| D599,068 | S * | 8/2009 | Yang et al. | | D32/55 |
| D599,069 | S * | 8/2009 | Curtin | | D32/55 |
| D610,405 | S * | 2/2010 | McConnell | | D7/409 |

* cited by examiner

Primary Examiner—Austin Murphy

(74) *Attorney, Agent, or Firm*—Simpson & Simpson, PLLC

(57) **CLAIM**

The ornamental design for a dish rack, as shown and described.

DESCRIPTION

FIG. 1 is a perspective view of the present invention dish rack;

FIG. 2 is a right side elevational view of the dish rack;

FIG. 3 is a left side elevational view of the dish rack;

FIG. 4 is a top plan view of the dish rack

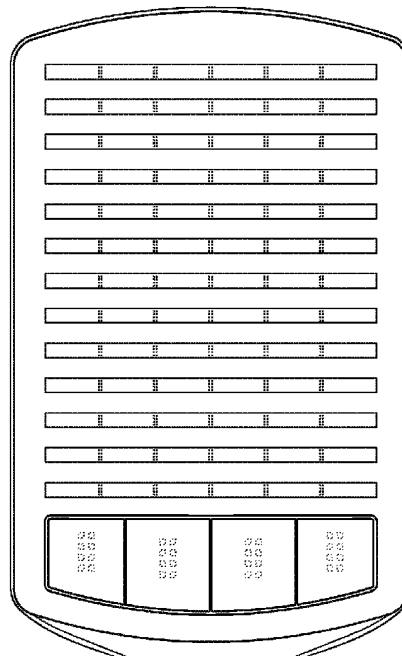
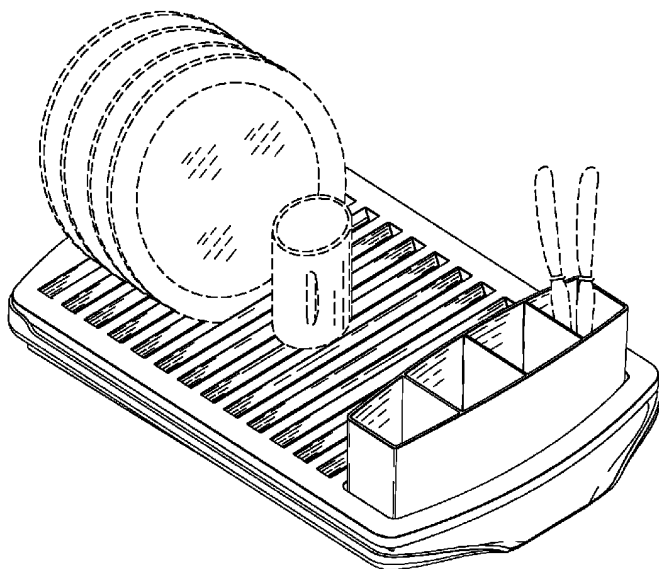
FIG. 5 is a bottom plan view of the dish rack

FIG. 6 is a front elevational view of the dish rack; and,

FIG. 7 is a rear elevational view of the dish rack.

It should be appreciated that the broken line illustrations of dishes and eating utensils shown in FIG. 1 and portions of the dish rack shown in FIG. 4 are for illustrative purposes only and form no part of the claimed invention.

1 Claim, 5 Drawing Sheets



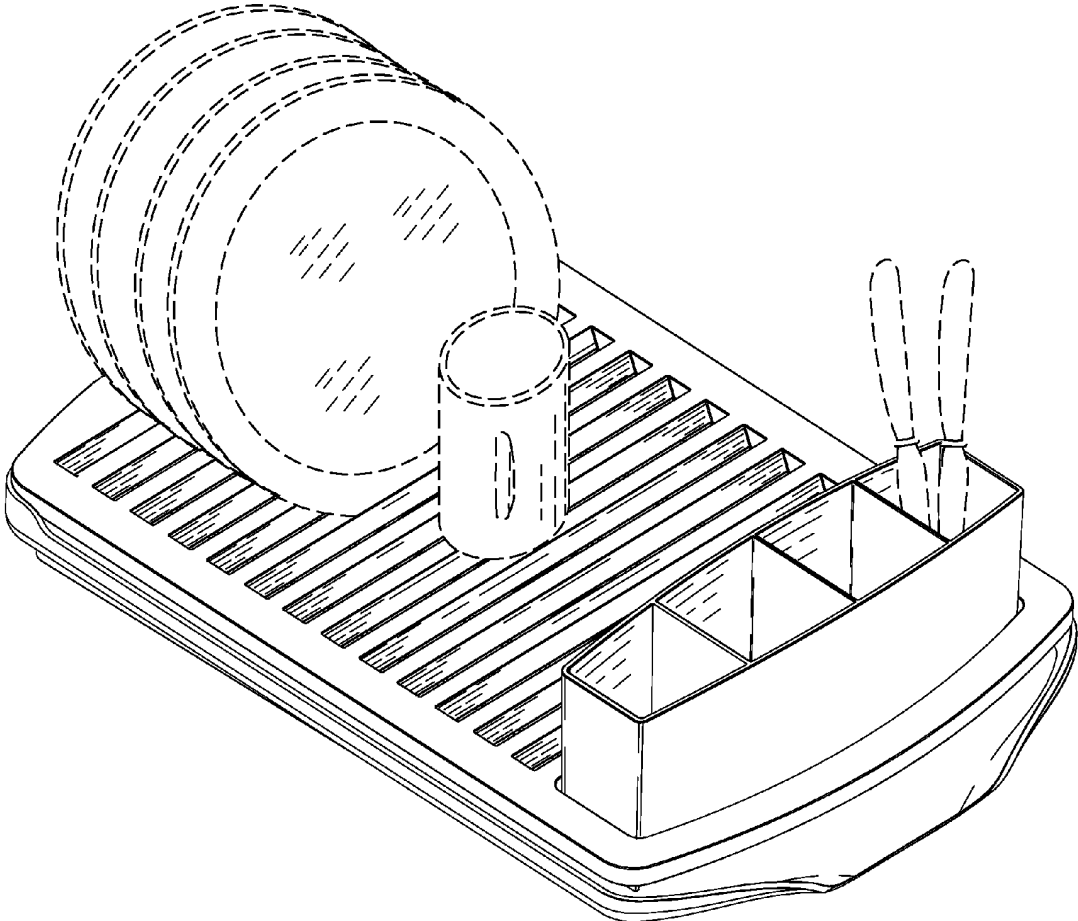


Fig. 1



Fig. 2



Fig. 3

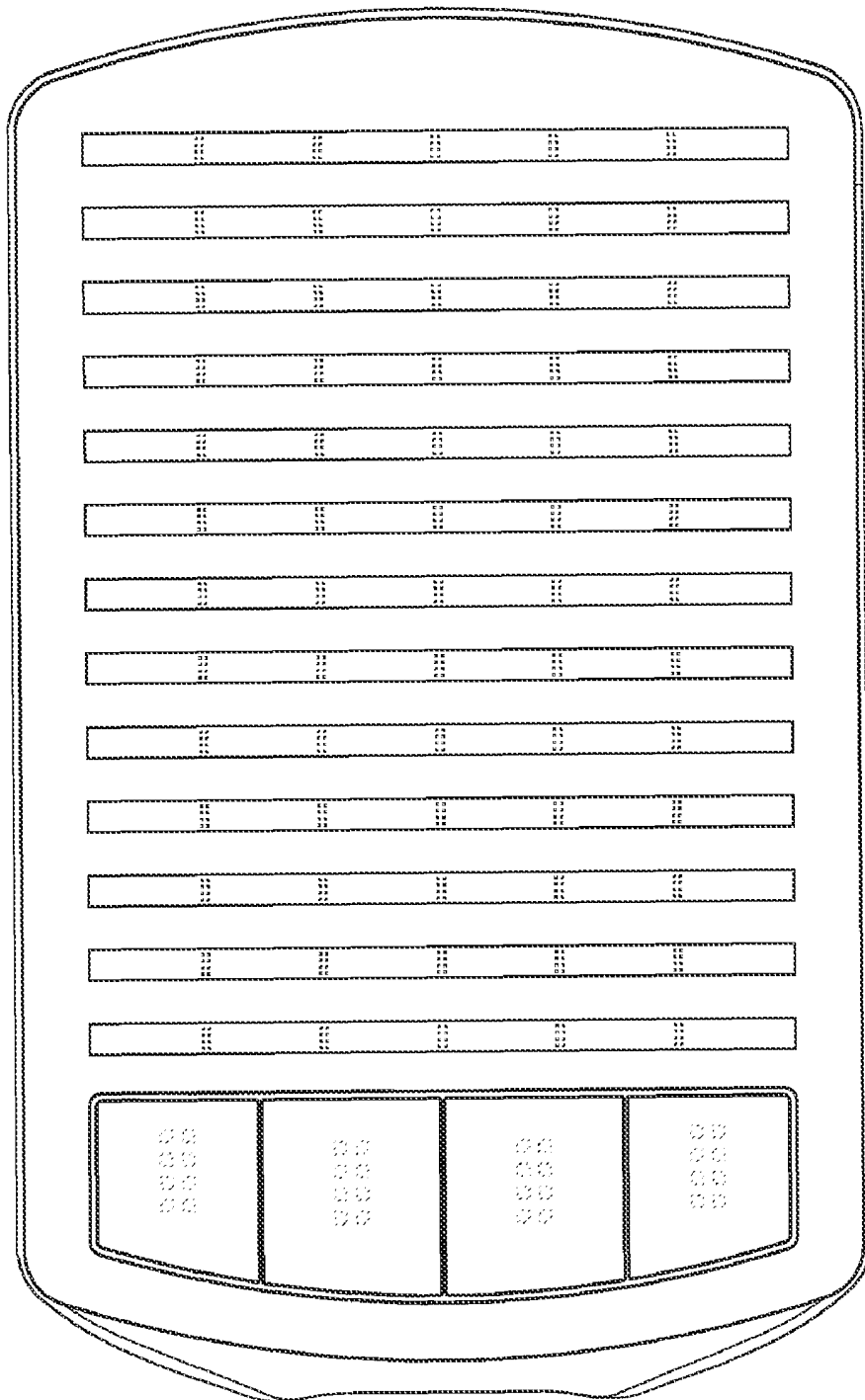


Fig. 4

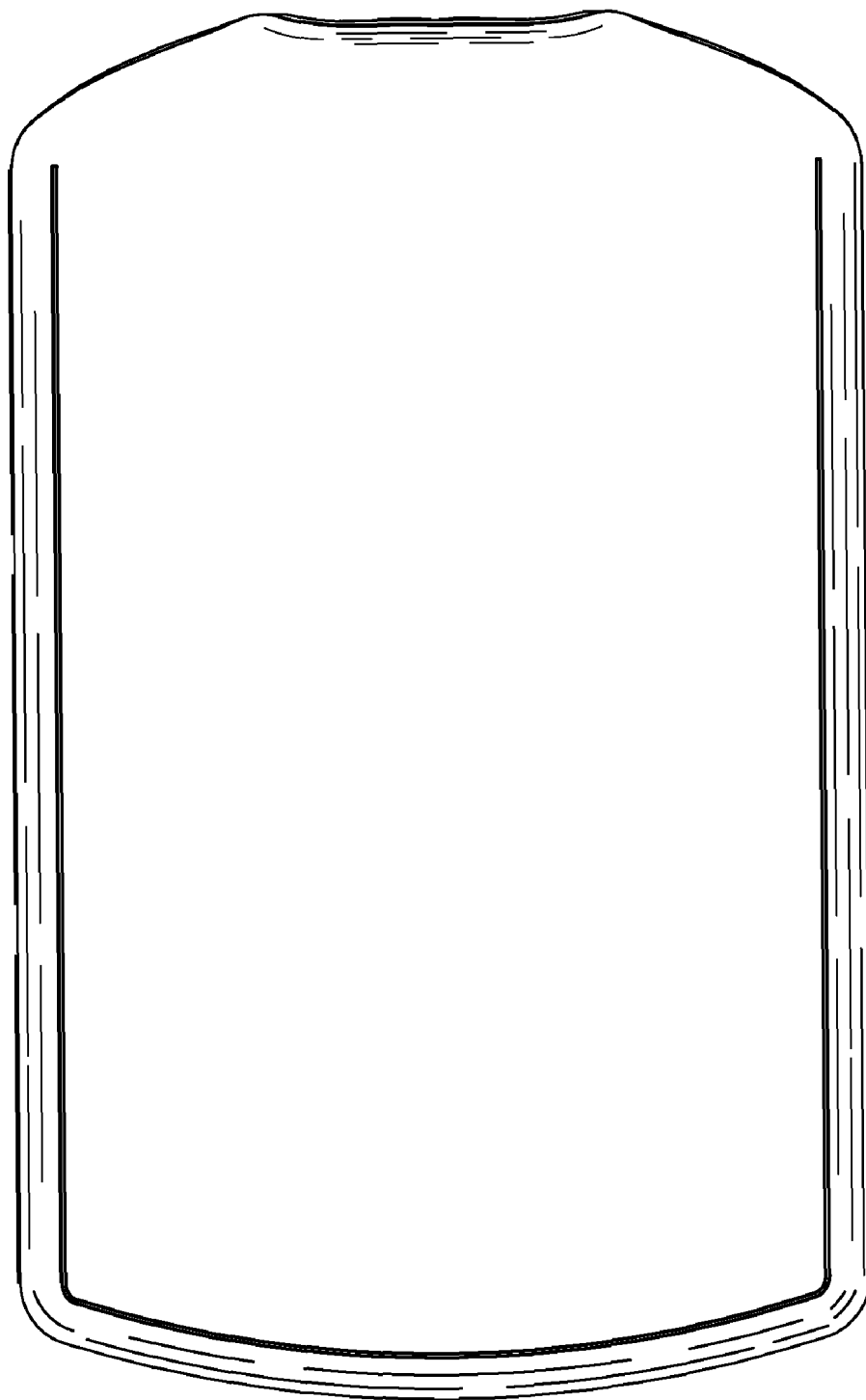


Fig. 5

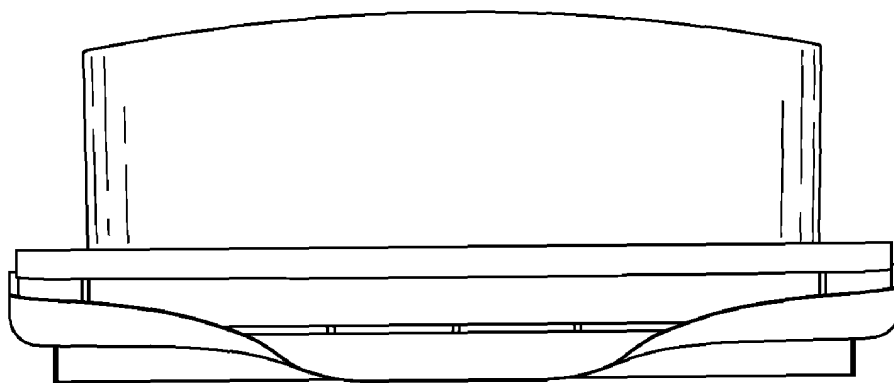


Fig. 6

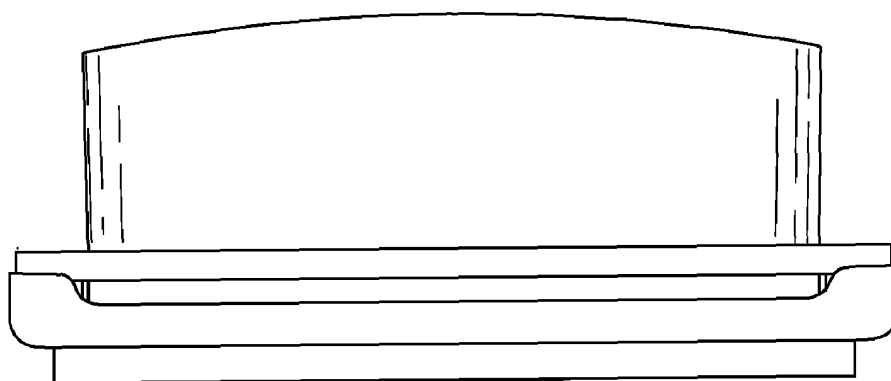


Fig. 7