

[54] ADJUSTABLE STOP FOR POSITIONING A WORKPIECE IN A MILLING MACHINE OR THE LIKE

[75] Inventors: **Walter E. Saupe**, Corfu; **Gregory D. Crawford**, Batavia, both of N.Y.

[73] Assignee: **Trison Manufacturing Inc.**, Corfu, N.Y.

[\*\*] Term: **14 Years**

[21] Appl. No.: **129,416**

[22] Filed: **Mar. 12, 1980**

[51] Int. Cl. .... **D15-09**

[52] U.S. Cl. .... **D15/131; D15/138**

[58] Field of Search .... **D15/131, 138, 140; 409/218**

[56] **References Cited**

**U.S. PATENT DOCUMENTS**

3,961,557 8/1976 Jezowski ..... 409/218  
4,020,742 5/1977 Raymond ..... 409/218

*Primary Examiner*—B. J. Bullock  
*Attorney, Agent, or Firm*—Bean, Kauffman & Bean

[57] **CLAIM**

The ornamental design for an adjustable stop for positioning a workpiece in a milling machine or the like, as shown.

**DESCRIPTION**

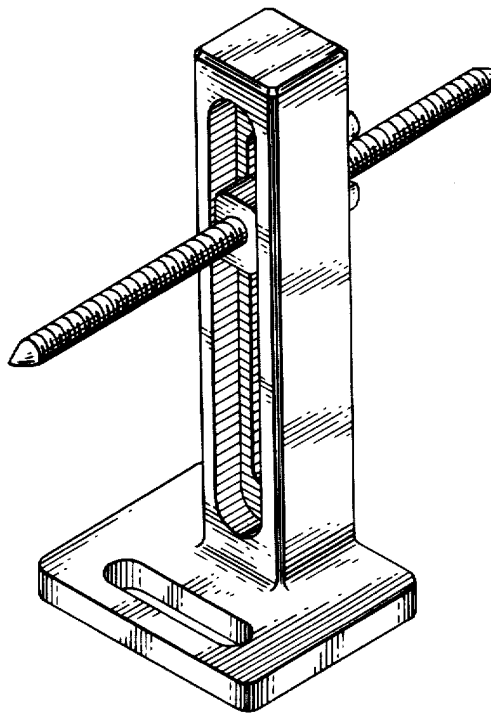
FIG. 1 is a front perspective view of an adjustable stop for positioning a workpiece in a milling machine or the like showing our new design;

FIG. 2 is a rear perspective view thereof;

FIG. 3 is a side elevational view taken from the right of FIG. 1;

FIG. 4 is a side elevational view taken from the left of FIG. 1;

FIG. 5 is a sectional view taken in the direction of the arrows on line 5—5 of FIG. 3.



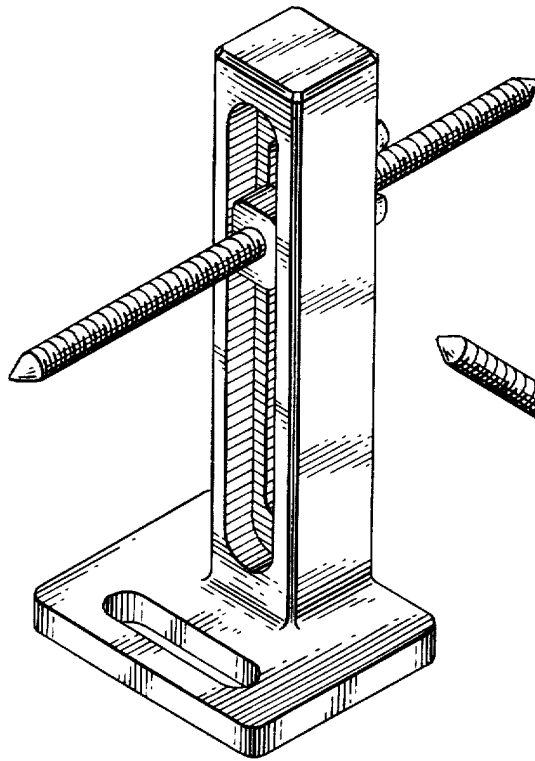


Fig. 1.

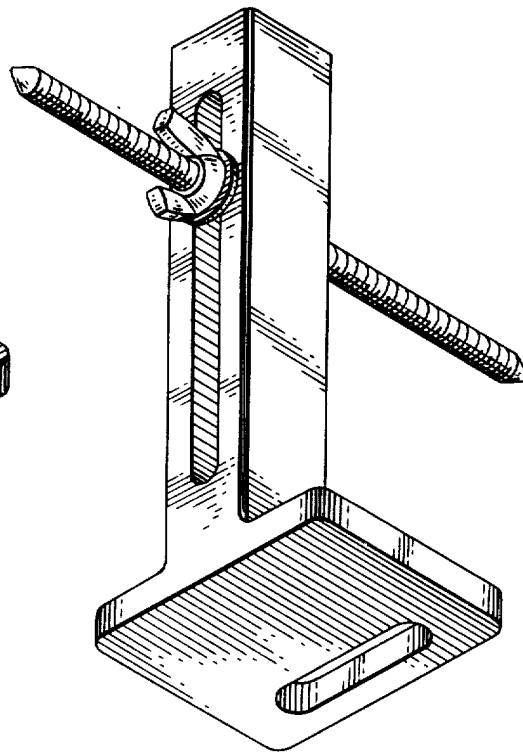


Fig. 2.

Fig. 3.

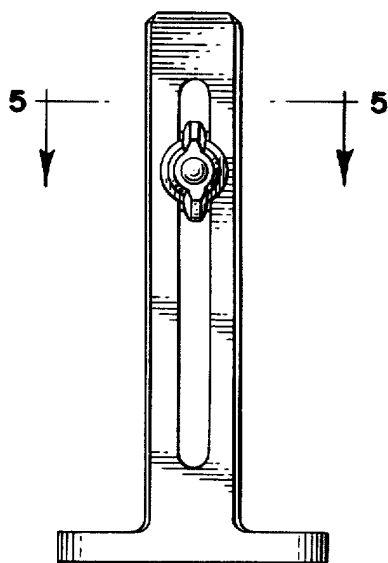


Fig. 4.

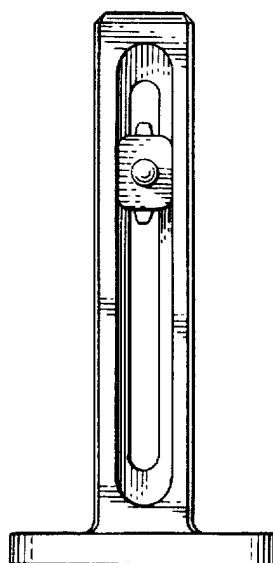


Fig. 5.

