



US0D1008596S

(12) **United States Design Patent**
Asis et al.

(10) **Patent No.: US D1,008,596 S**

(45) **Date of Patent: ** Dec. 19, 2023**

(54) **EXPANDABLE DRYING RACK**

(71) Applicant: **Umbra LLC**, Buffalo, NY (US)

(72) Inventors: **Nathan Asis**, Richmond Hill (CA);
David Green, Toronto (CA)

(73) Assignee: **Umbra LLC**, Buffalo, NY (US)

(**) Term: **15 Years**

(21) Appl. No.: **29/781,802**

(22) Filed: **Apr. 30, 2021**

(51) **LOC (14) Cl.** **07-05**

(52) **U.S. Cl.**

USPC **D32/55**

(58) **Field of Classification Search**

USPC D6/524-527, 536-540, 582; D7/541,
D7/543, 552.1, 553.4, 553.5, 554.3, 611;
D32/1, 55-59

CPC A47L 15/0005; A47L 15/0007; A47L
15/001; A47L 15/0013; A47L 15/0015;
A47L 15/503; A47L 15/505; A47L 19/02;
A47L 19/04; A47L 25/12; A47J 2201/00;
A47J 47/00; A47J 27/04; A47J 47/16;
A47J 47/20; A47J 47/005

See application file for complete search history.

(56) **References Cited**

U.S. PATENT DOCUMENTS

2,479,118 A 8/1949 Jenness
4,531,641 A 7/1985 Archambault
D347,717 S 6/1994 Chapin

(Continued)

FOREIGN PATENT DOCUMENTS

CA 168652 S 3/2017
EM 00885248-0001 * 3/2022
JP 2017113509 A 6/2017

OTHER PUBLICATIONS

Amazon.ca Umbra Udry Rack and Microfiber Dish Drying Mat
<https://www.amazon.ca/Umbra-Microfiber-Mat-Space-Saving->

Lightweight-Charcoal/dp/B08YFJZZQW/ref=sr_1_7?crid=1KFVJBWOKVI7U&keywords=umbra%2Bdrying%2Brack&qid=1691867803&srefix=umbra%2Bdrying%2Brack%2B%2Caps%2C131&sr=8-7&th=1 (Year: 2021).*

(Continued)

Primary Examiner — Kevin K Rudzinski

Assistant Examiner — Richard E Yenchesky

(74) *Attorney, Agent, or Firm* — Simpson & Simpson, PLLC

(57) **CLAIM**

The ornamental design for an expandable drying rack, as shown and described.

DESCRIPTION

FIG. 1 is a top perspective view of the expandable drying rack of the present invention, shown with the support arms in an expanded configuration, the silverware container in an upright position, and the drying mat;

FIG. 2 is a top perspective view of the expandable drying rack shown in FIG. 1, shown with the support arms in a closed configuration, the silverware container in a stored position, and the drying mat in a folded configuration;

FIG. 3 is a front view of the expandable drying rack shown in FIG. 1;

FIG. 4 is a rear view of the expandable drying rack shown in FIG. 1;

FIG. 5 is a left side view of the expandable drying rack shown in FIG. 1;

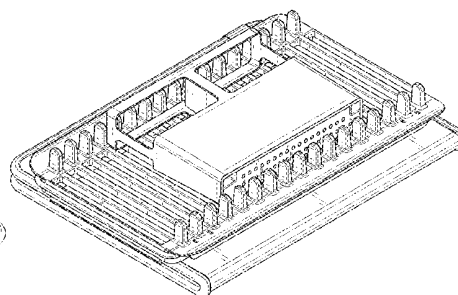
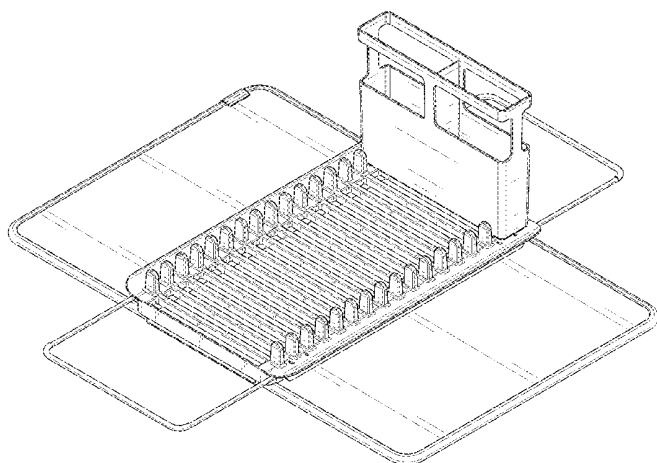
FIG. 6 is a right side view of the expandable drying rack shown in FIG. 1;

FIG. 7 is a top view of the expandable drying rack shown in FIG. 1; and,

FIG. 8 is a bottom view of the expandable drying rack shown in FIG. 1.

The drawings illustrate an expandable drying rack as shown in the drawings. Stippling and/or contoured lines are included in FIGS. 1 through 8 to depict surface curvature, flatness, texture, or other shapes.

1 Claim, 8 Drawing Sheets



(56)

References Cited

U.S. PATENT DOCUMENTS

D353,921 S 12/1994 Lippisch et al.
 D361,272 S * 8/1995 Craft D7/698
 D398,725 S 9/1998 Merkel
 6,170,676 B1 1/2001 Patadia et al.
 6,357,605 B1 3/2002 Martorella
 6,502,704 B2 1/2003 Martorella et al.
 6,581,774 B1 6/2003 Galafassi et al.
 D490,198 S 5/2004 Jerstroem et al.
 D634,089 S * 3/2011 Wisniewski D32/55
 D692,199 S 10/2013 Huang
 D693,082 S 11/2013 Evans et al.
 8,573,410 B2 11/2013 Chalifoux
 D695,482 S * 12/2013 Huang D32/55
 D720,109 S * 12/2014 Huang D32/55
 D732,256 S 6/2015 Huang
 D736,488 S 8/2015 Le
 9,107,552 B2 8/2015 Micek et al.
 D773,142 S 11/2016 Green
 D774,719 S 12/2016 Green
 D776,386 S 1/2017 Green
 D781,518 S 3/2017 Green
 D799,133 S * 10/2017 Wong D32/55
 D801,612 S 10/2017 Green
 9,907,453 B2 3/2018 Green
 D814,730 S * 4/2018 Cooper D32/55
 D822,930 S 7/2018 Green

D825,874 S * 8/2018 Johnson D32/55
 D830,657 S 10/2018 Green
 D882,198 S * 4/2020 Benishai D32/55
 D882,899 S * 4/2020 Evans D32/55
 D897,063 S 9/2020 Green
 D916,412 S * 4/2021 Moody Fear D32/55
 D961,879 S * 8/2022 Stevens D32/55
 D970,842 S * 11/2022 Mao D32/55
 D970,843 S * 11/2022 Mao D32/55
 D985,869 S * 5/2023 Zhang D32/55
 2001/0047968 A1 * 12/2001 Wright A47L 19/04
 211/184
 2008/0149644 A1 6/2008 Piacenza et al.
 2008/0179264 A1 7/2008 Abrams
 2008/0210648 A1 9/2008 Davis
 2008/0283480 A1 11/2008 Segall et al.
 2012/0138550 A1 * 6/2012 Wisniewski A47L 19/04
 211/41.3
 2013/0105423 A1 5/2013 Chalifoux

OTHER PUBLICATIONS

Handish Dish Drying Mat; B4Market Design; Available at: <https://www.youtube.com/watch?v=emBegADbSSQ>; Published Nov. 5, 2013. Last accessed Jan. 11, 2018.
 U.S. Appl. No. 17/246,052, filed Apr. 30, 2021.

* cited by examiner

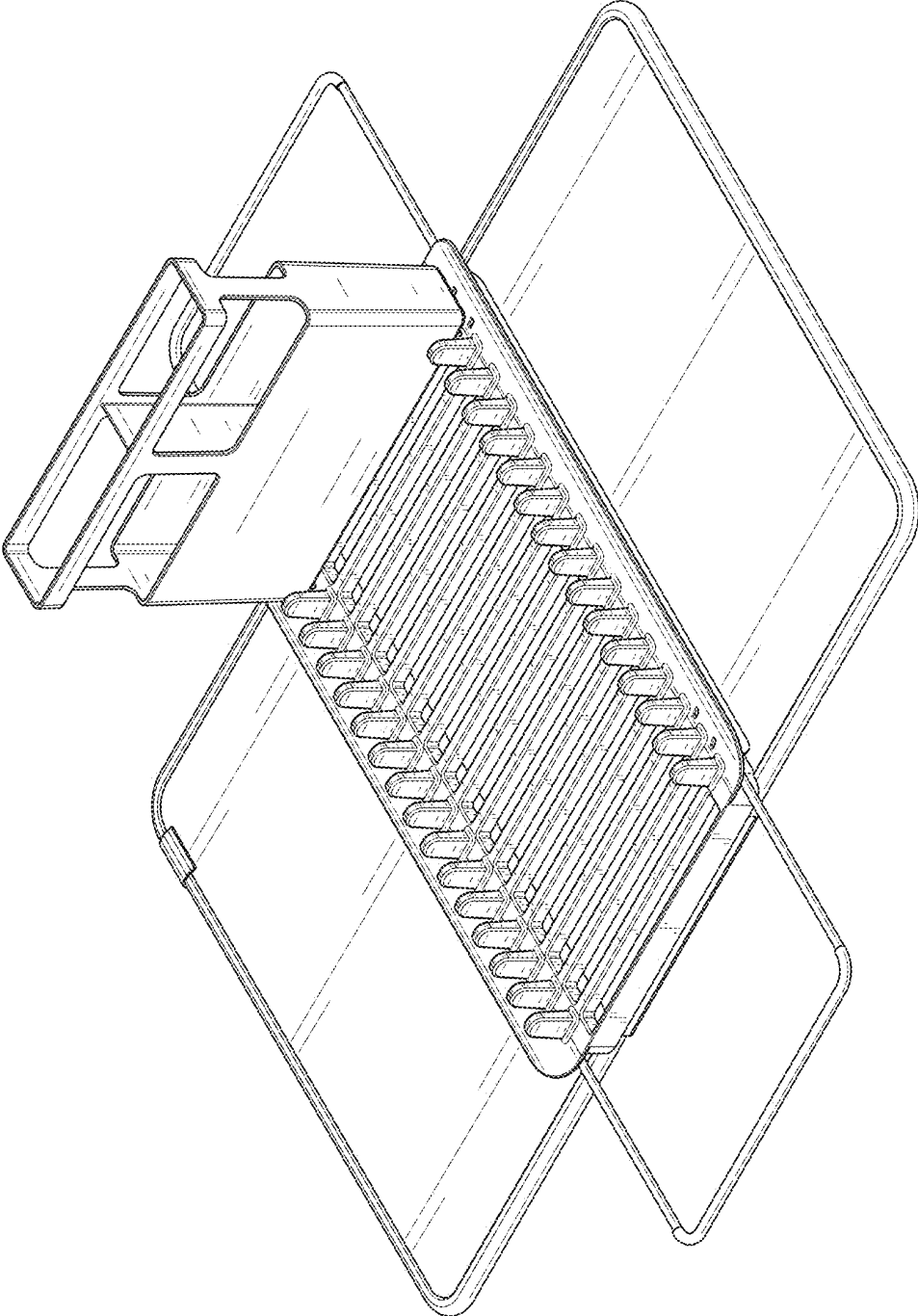


FIG. 1

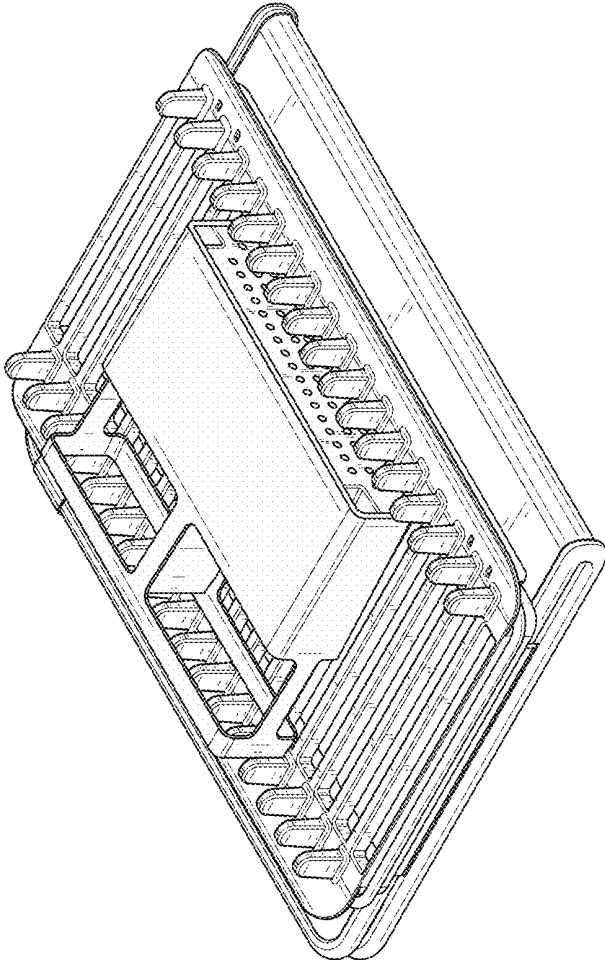


FIG. 2

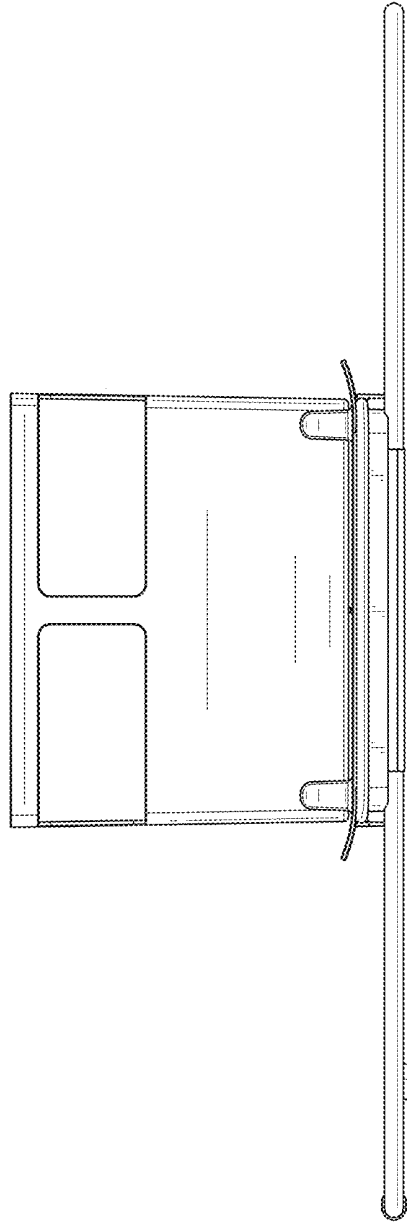


FIG. 3

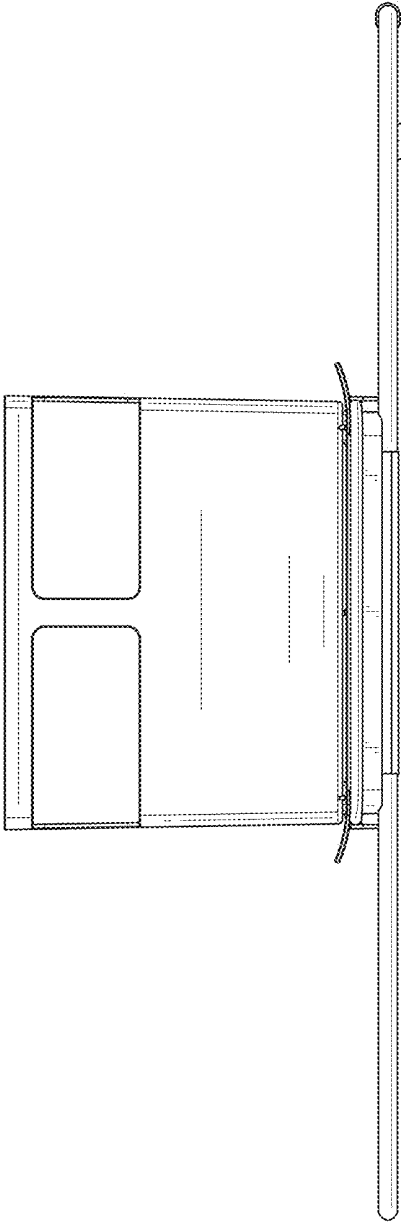


FIG. 4

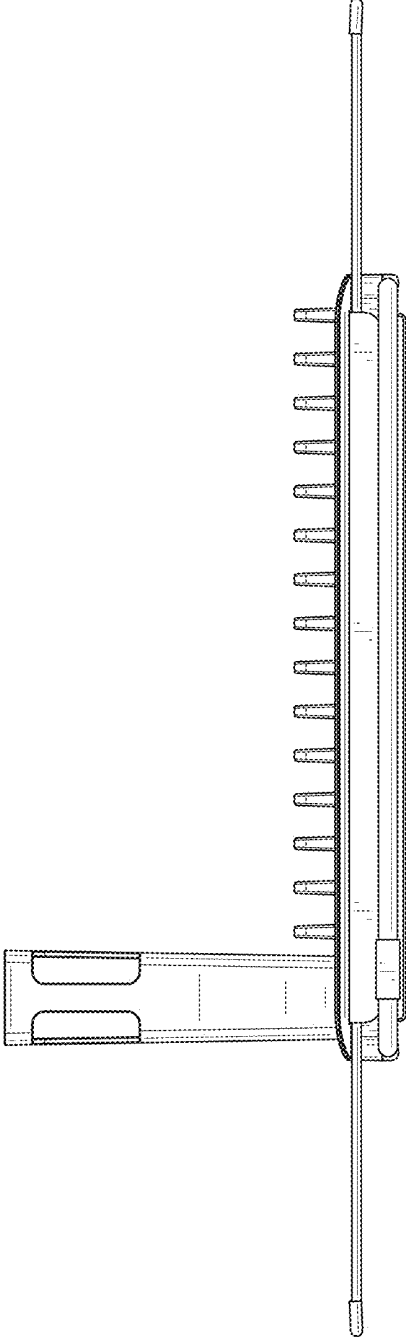


FIG. 5

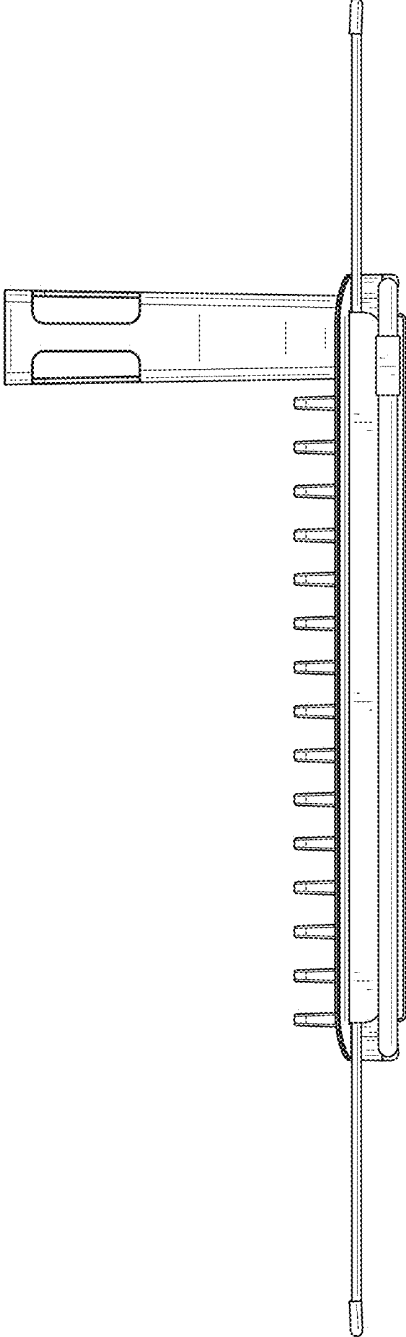


FIG. 6

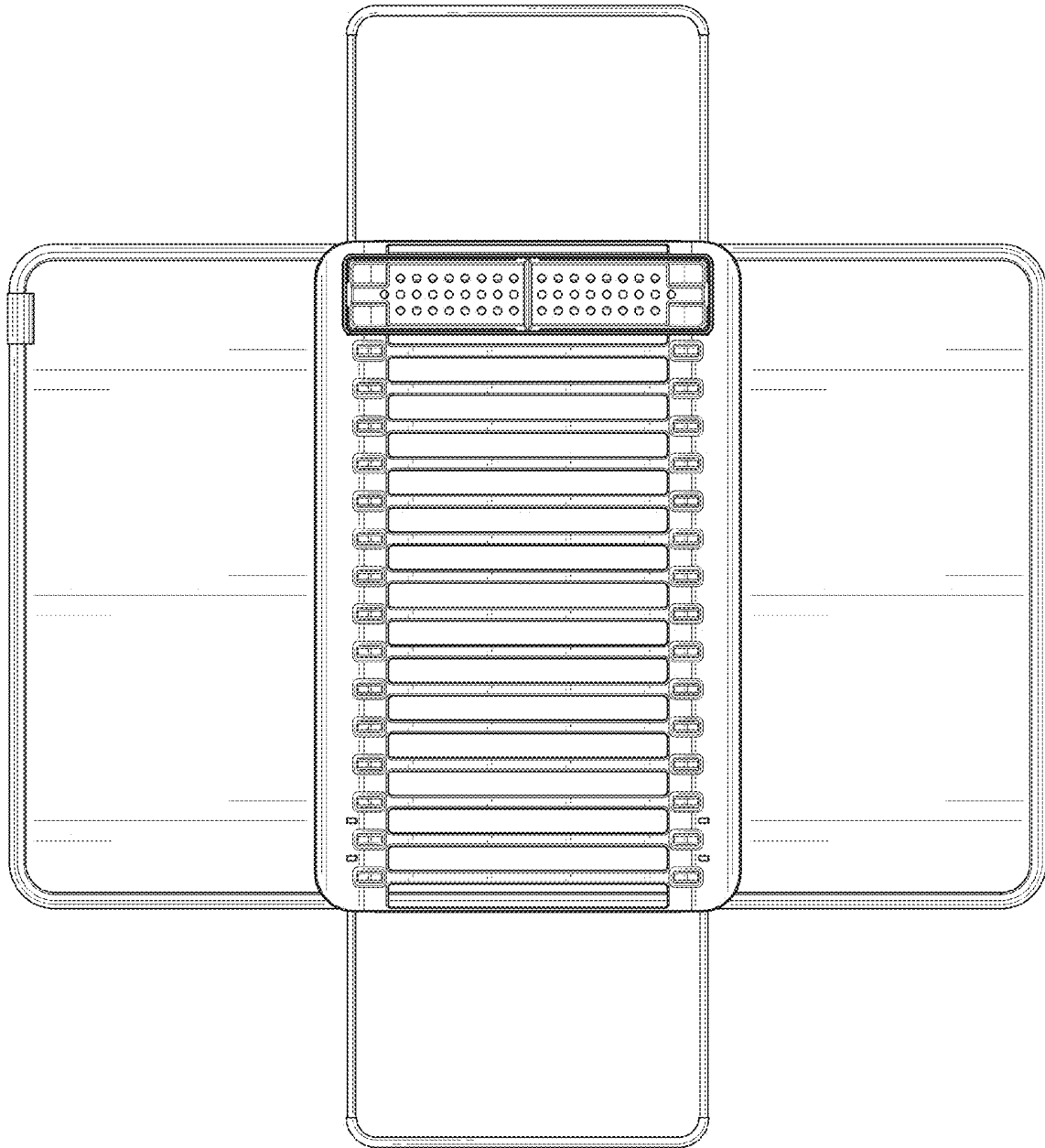


FIG. 7

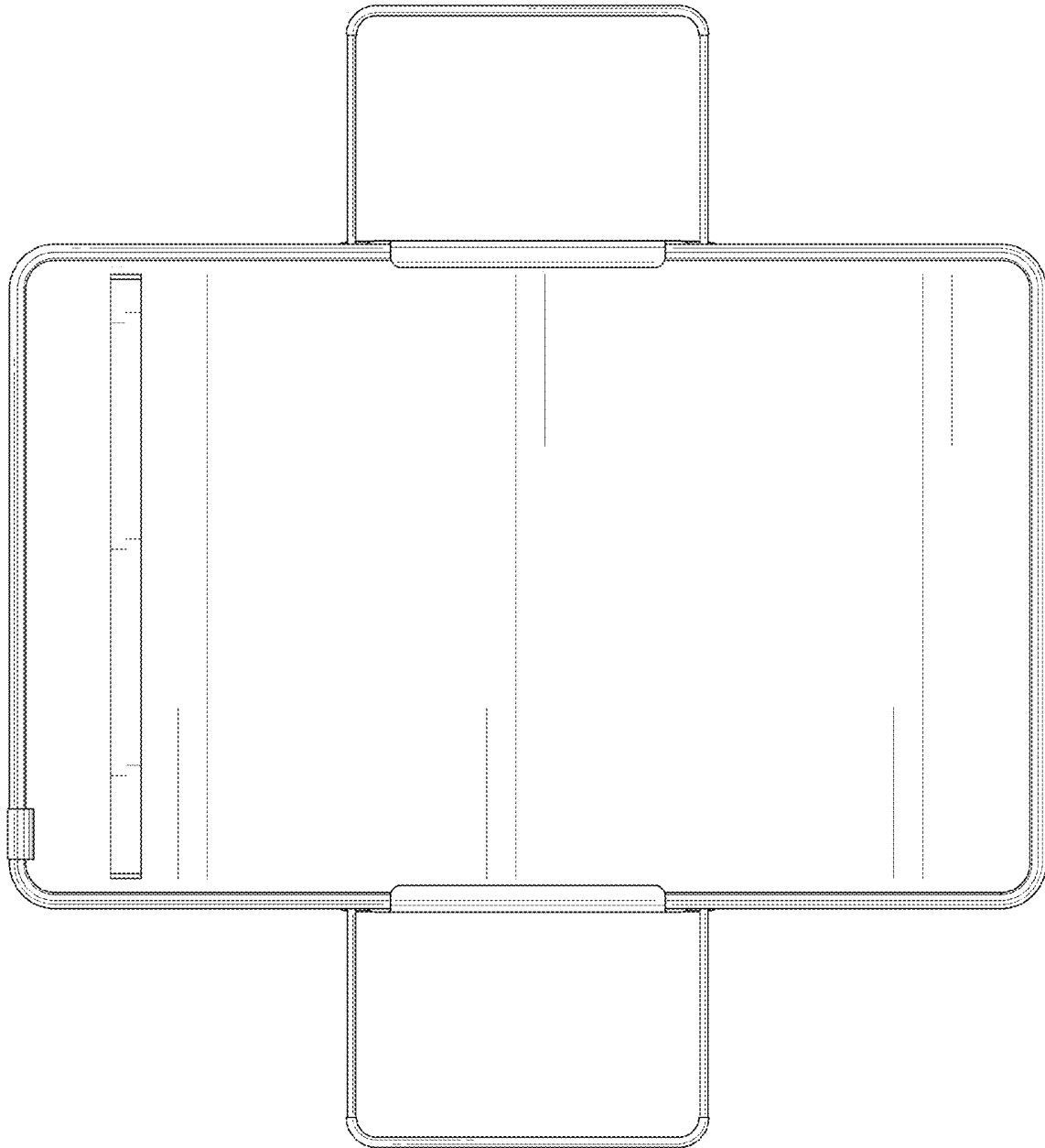


FIG. 8