



US0D1001548S

(12) **United States Design Patent** (10) **Patent No.: US D1,001,548 S**
Carr (45) **Date of Patent: ** Oct. 17, 2023**

(54) **WALL-MOUNTED SHELF**

OTHER PUBLICATIONS

(71) Applicant: **Umbra LLC**, Buffalo, NY (US)

Bellwood Wall Shelf, posted unknown [online], [retrieved Mar. 17, 2023]. Retrieved from internet, <https://www.umbra.com/products/bellwood-wall-shelf> (Year: 2023).*

(72) Inventor: **Matthew J. Carr**, Toronto (CA)

(Continued)

(73) Assignee: **UMBRA LLC**, Buffalo, NY (US)

(**) Term: **15 Years**

Primary Examiner — Cynthia Ramirez

Assistant Examiner — Jeremy S. Swartz

(21) Appl. No.: **29/784,211**

(74) *Attorney, Agent, or Firm* — Simpson & Simpson, PLLC

(22) Filed: **May 18, 2021**

(51) **LOC (14) Cl.** **08-08**

(52) **U.S. Cl.**
USPC **D6/569**

(57) **CLAIM**

(58) **Field of Classification Search**

USPC D6/569, 574, 553, 555, 567, 675, 1, D6/678.1, 675.1

CPC A47B 95/008; A47B 95/00; A47B 96/06

See application file for complete search history.

The ornamental design for a wall-mounted shelf, as shown and described.

(56) **References Cited**

DESCRIPTION

U.S. PATENT DOCUMENTS

D320,901	S	*	10/1991	Yau Kee	D6/675.1
D382,143	S	*	8/1997	Herbst	D6/675.1
D426,728	S	*	6/2000	Lara	D6/678.1
D429,095	S	*	8/2000	Grosfillex	D6/675.1
D476,510	S	*	7/2003	Henry	D6/675.1
D832,613	S	*	11/2018	Parikh	D6/574
D866,229	S	*	11/2019	Wu	D6/675.1
D869,206	S	*	12/2019	Wu	D6/675.1
D887,747	S	*	6/2020	Chiang	D6/574
D911,082	S	*	2/2021	Etgar	D6/675.1
D916,525	S	*	4/2021	Pan	D6/574
2017/0042326	A1	*	2/2017	Choi	F16B 2/246
2023/0047733	A1	*	2/2023	Jerabek	A47B 96/021

FIG. 1 is a perspective view of the wall-mounted shelf of the present invention;
FIG. 2 is a front elevation view of the wall-mounted shelf shown in FIG. 1;
FIG. 3 is a rear elevation view of the wall-mounted shelf shown in FIG. 1;
FIG. 4 is a left elevation view of the wall-mounted shelf shown in FIG. 1;
FIG. 5 is a right elevation view of the wall-mounted shelf shown in FIG. 1;
FIG. 6 is a top plan view of the wall-mounted shelf shown in FIG. 1; and,
FIG. 7 is a bottom plan view of the wall-mounted shelf shown in FIG. 1.

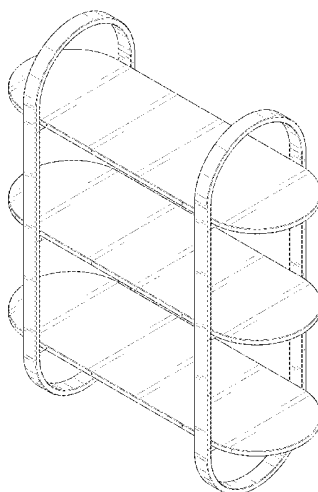
FOREIGN PATENT DOCUMENTS

CA	18553	*	3/1952
CN	306757005	*	8/2021
EM	008683916-0005	*	9/2021
GB	6120258	*	2/2021

The broken lines illustrated in FIGS. 3 through 5 illustrate features of the present invention and form no part of the claimed design.

(Continued)

1 Claim, 5 Drawing Sheets



(56)

References Cited

FOREIGN PATENT DOCUMENTS

GB 6155264 * 8/2021

OTHER PUBLICATIONS

Umbra Bellwood Wall Shelf, posted unknown [online], [retrieved Mar. 17, 2023]. Retrieved from internet, https://www.amazon.com/Umbra-Bellwood-Shelf-White-Natural/dp/B09SGRYV4J?ref_=ast_sto_dp&th=1 (Year: 2023).*

Umbra Bellwood Wall Shelf Black, posted Feb. 14, 2022 [online], [retrieved Mar. 17, 2023]. Retrieved from internet, https://www.amazon.com/Umbra-Bellwood-Shelf-Black-Walnut/dp/B09SGSY2FN?ref_=ast_sto_dp (Year: 2022).*

Gold Polished 3-Tier Shelf, posted unknown [online], [retrieved Mar. 17, 2023]. Retrieved from internet, <https://www.westelm.com/products/gold-polished-3-tier-shelf-h7239/> (Year: 2023).*

Sorbus Floating Shelf with Metal Bracket, posted Nov. 16, 2018 [online], [retrieved Mar. 17, 2023]. Retrieved from internet, <https://www.amazon.com/Sorbus-Floating-Shelf-Metal-Brackets/dp/B07KMFQN11> (Year: 2018).*

Floating Wall Shelves 3 Tier Hanging Shelf, posted unknown [online], [retrieved Mar. 17, 2023]. Retrieved from internet, <https://www.amazon.com/Floating-Shelves-Hanging-Bracket-Bathroom/dp/B0BFHBYNHN> (Year: 2023).*

RIFSYS 31-79IN Simple Shelf/Shelves Bar Hanger, posted unknown [online], [retrieved Mar. 17, 2023]. Retrieved from internet, <https://www.amazon.com/RIFSYS-31-79IN-Shelves-Decorative-Restaurant/dp/B0BJTNW3PG?th=1> (Year: 2023).*

2 Piece Oval Metal Floating Shelf, posted Mar. 15, 2023 [online], [retrieved Mar. 20, 2023]. Retrieved from internet, <https://www.amazon.com/Floating-Storage-Organization-Shelving-Display/dp/B0BYJR3QG1> (Year: 2023).*

Benoldy Black Oval Metal Frame Wall Mounted Floating Shelf, posted Nov. 15, 2022 [online], [retrieved Mar. 20, 2023]. Retrieved from internet, <https://www.amazon.com/BENOLDY-Black-Mounted-Floating-Surface/dp/B0BMK591QB/> (Year: 2022).*

* cited by examiner

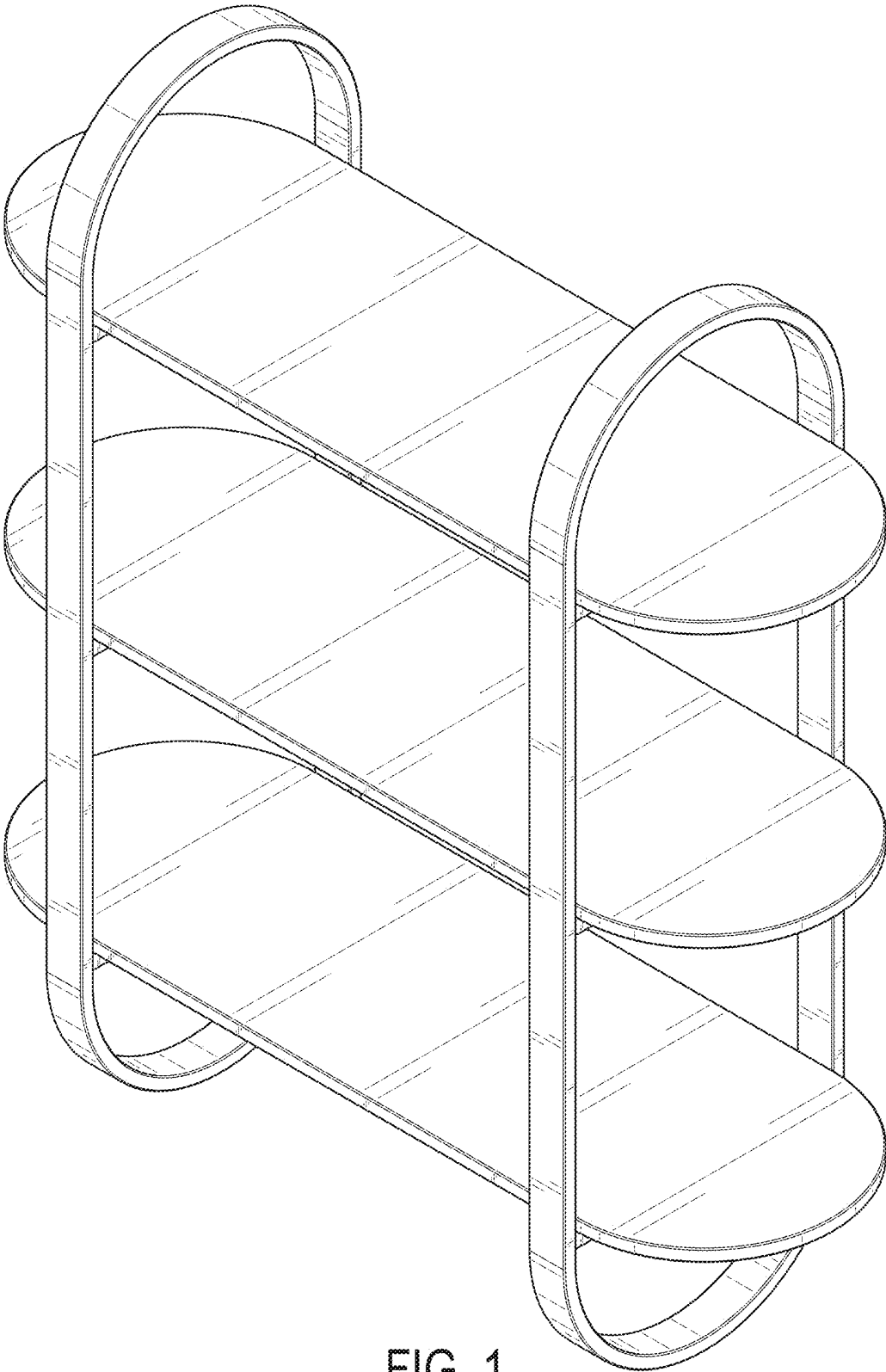


FIG. 1

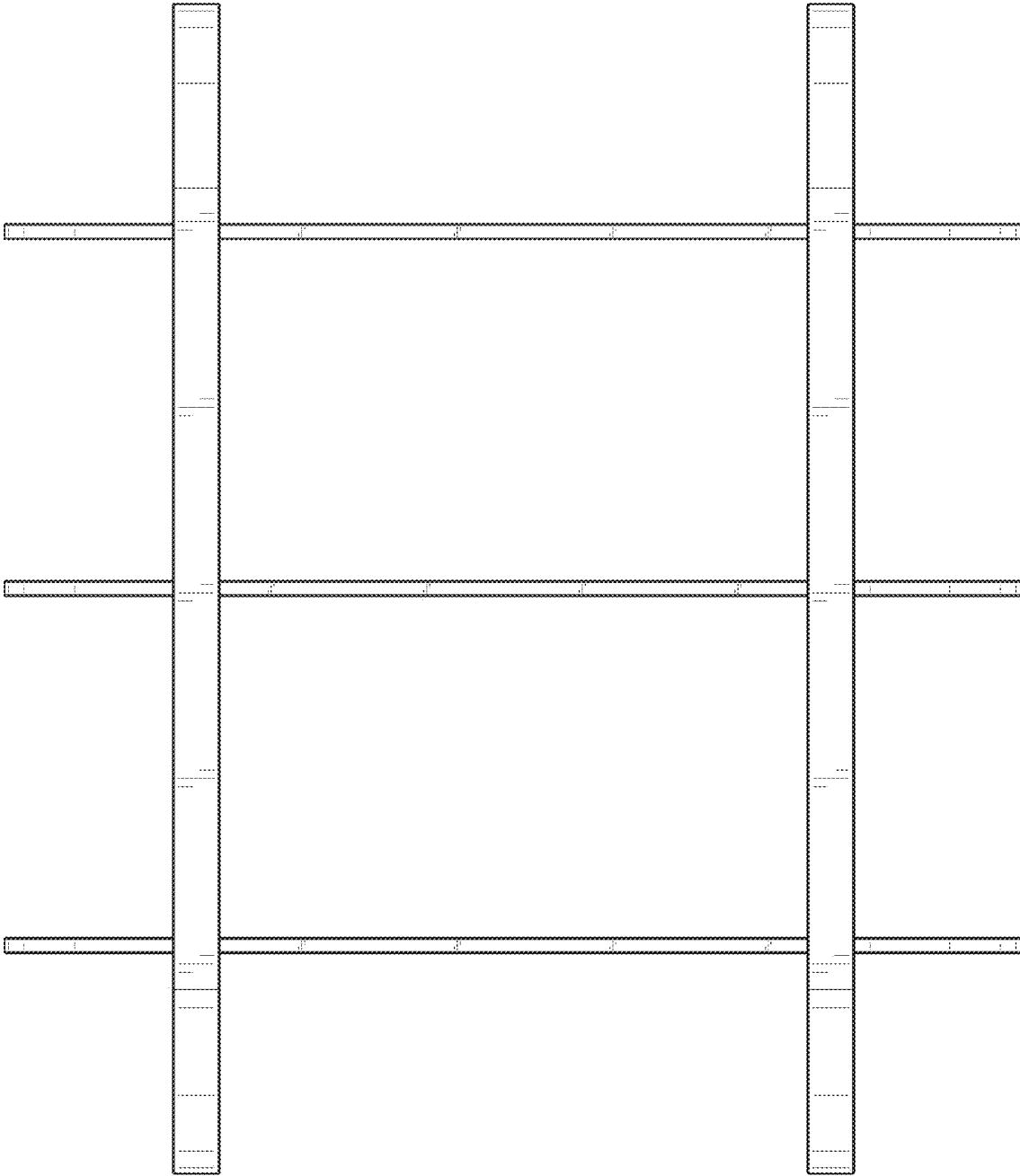


FIG. 2

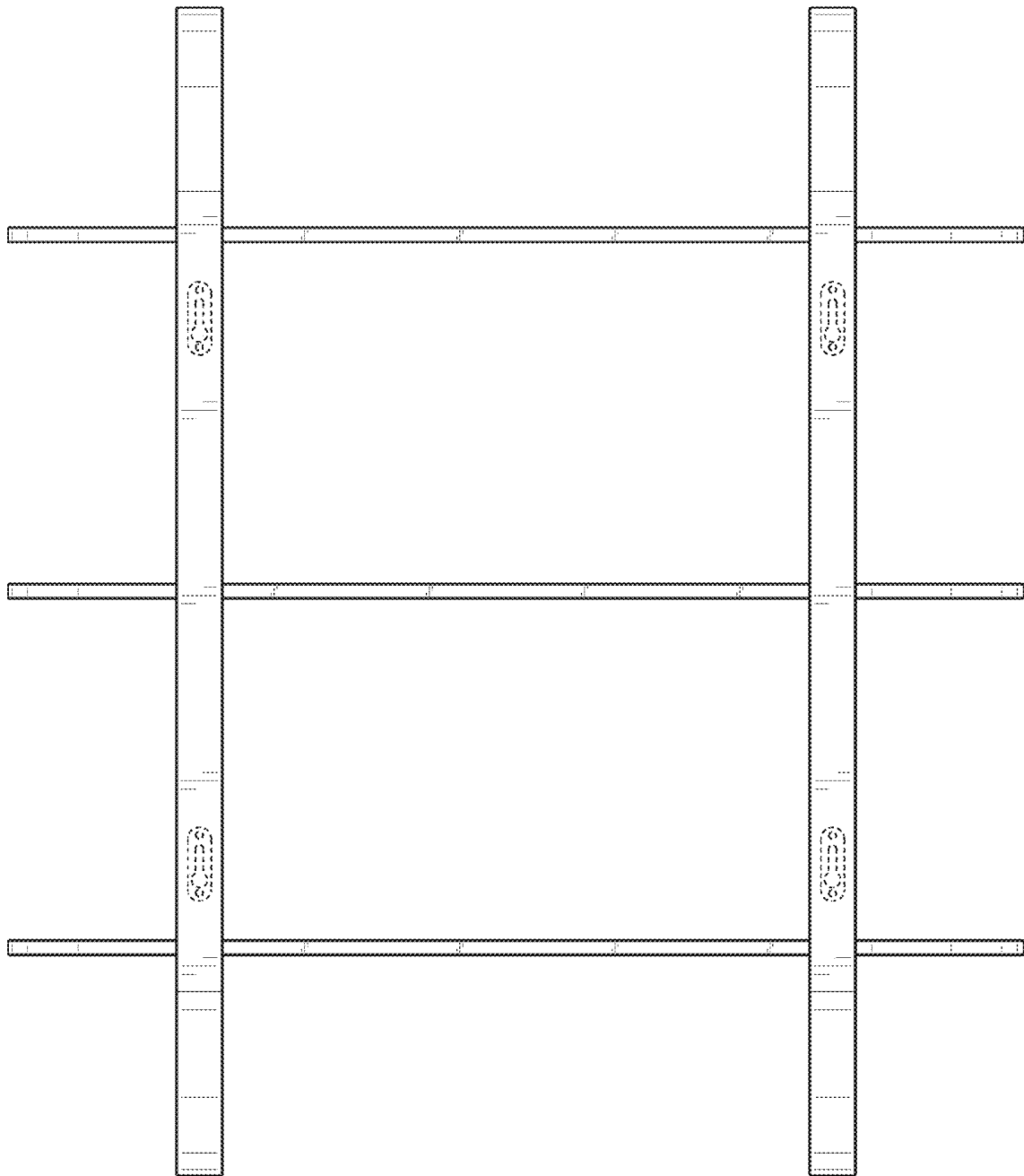


FIG. 3

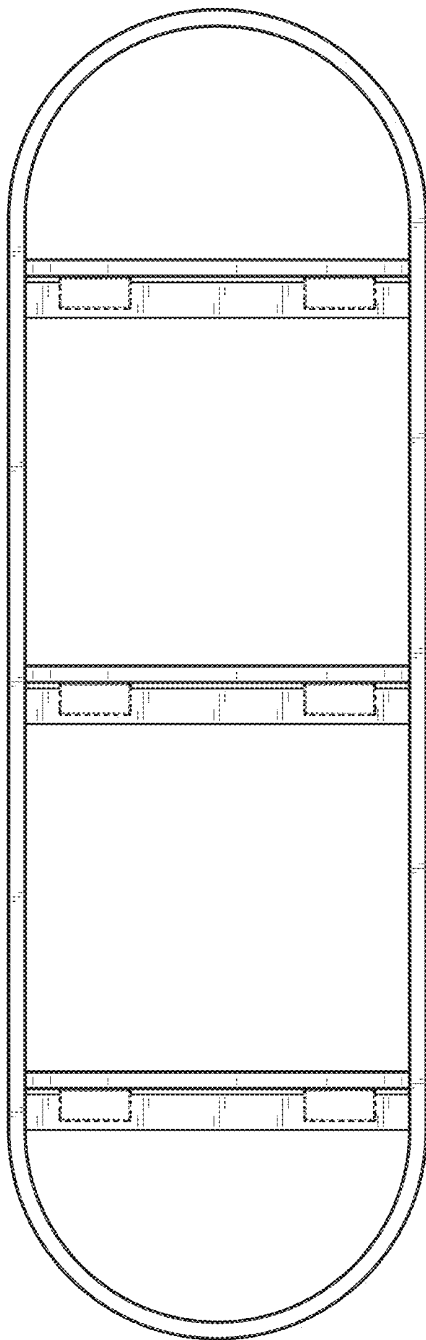


FIG. 4

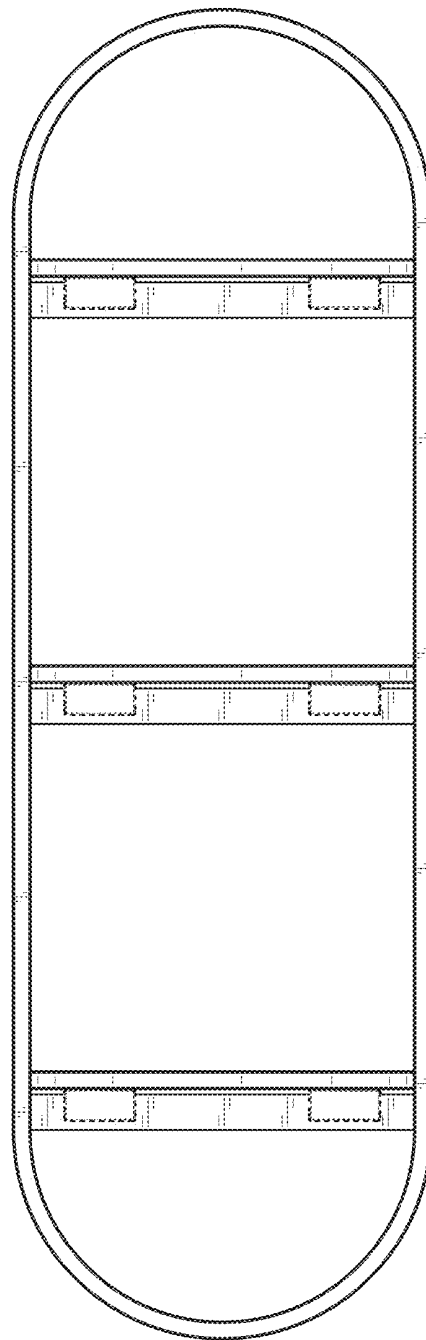


FIG. 5

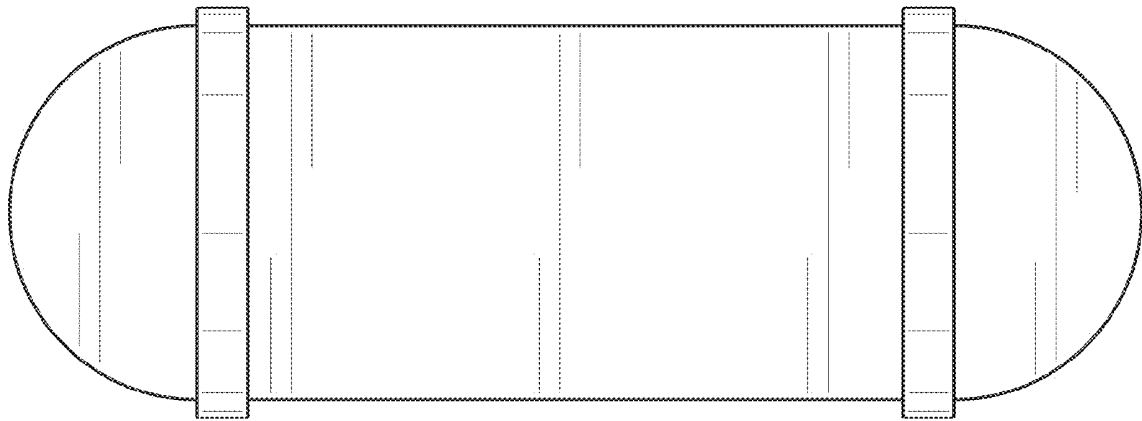


FIG. 6

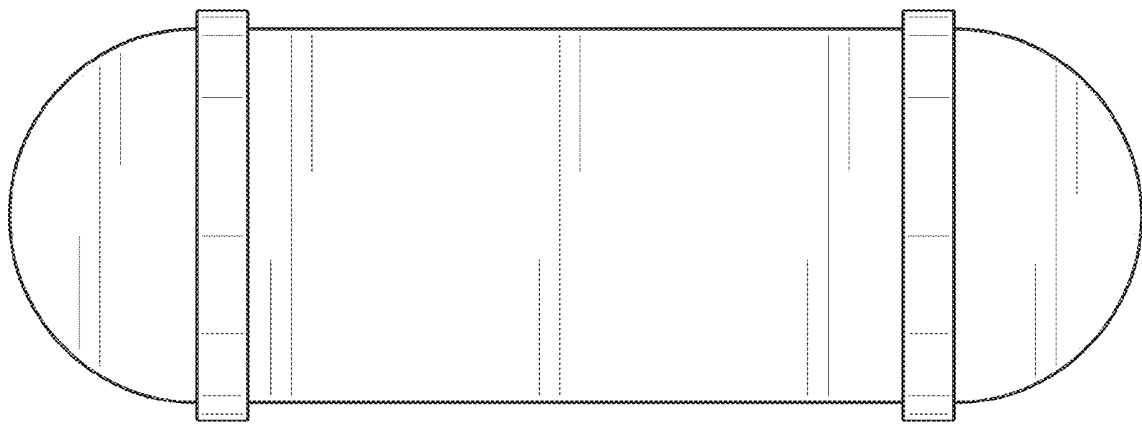


FIG. 7